

Joseph Lstiburek, Ph.D, P.Eng, ASHRAE Fellow

Building Science

Adventures In Building Science

www.buildingscience.com

Build Tight - Ventilate Right

Building Science Corporation

Joseph Lstiburek 2

Build Tight - Ventilate Right

How Tight?

What's Right?

Building Science Corporation

Joseph Lstiburek 3

Air Barrier Metrics

Material	0.02 l/(s-m ²) @ 75 Pa
Assembly	0.20 l/(s-m ²) @ 75 Pa
Enclosure	2.00 l/(s-m ²) @ 75 Pa
	0.35 cfm/ft ² @ 50 Pa
	0.25 cfm/ft ² @ 50 Pa
	0.15 cfm/ft ² @ 50 Pa

Building Science Corporation

Joseph Lstiburek 4

Getting rid of big holes	3 ach@50
Getting rid of smaller holes	1.5 ach@50
Getting German	0.6 ach@50

Best

As Tight as Possible - with -
Balanced Ventilation
Energy Recovery
Distribution and Mixing
Source Control - Spot exhaust ventilation
Filtration
Material selection

Worst

Leaky - with – Nothing

Spot Ventilation in Bathroom/Kitchen

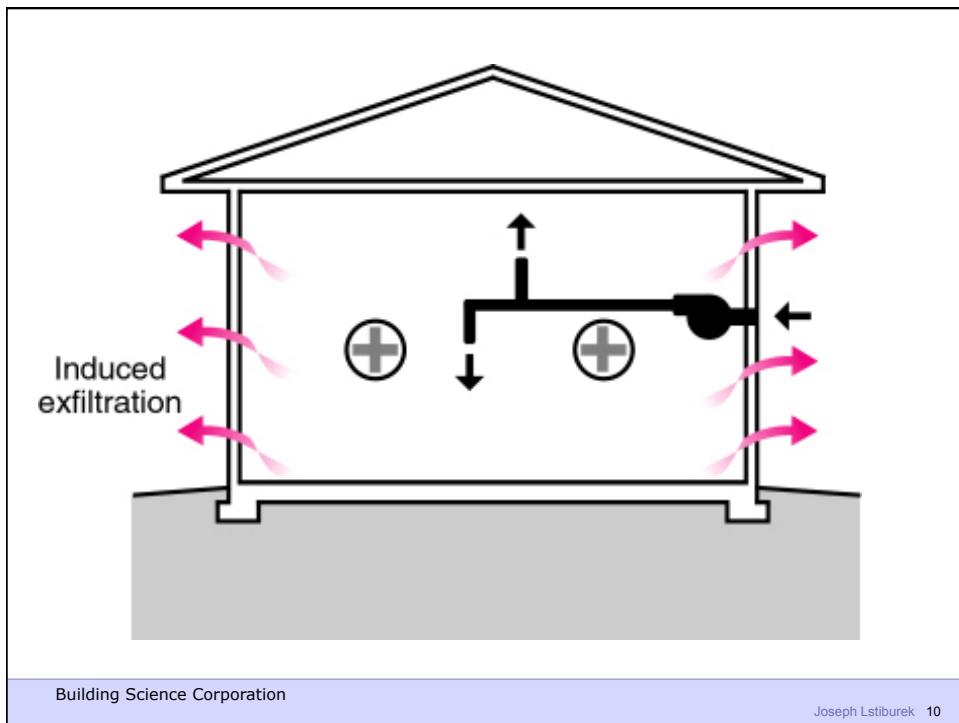
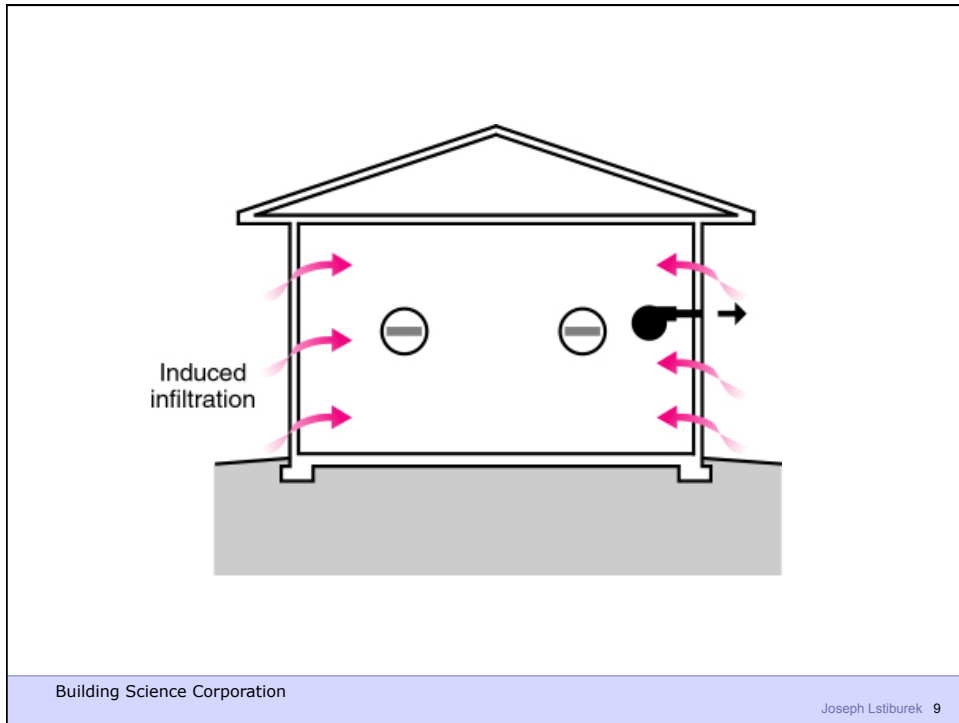
Exhaust Ventilation – with – No Distribution
and No Mixing

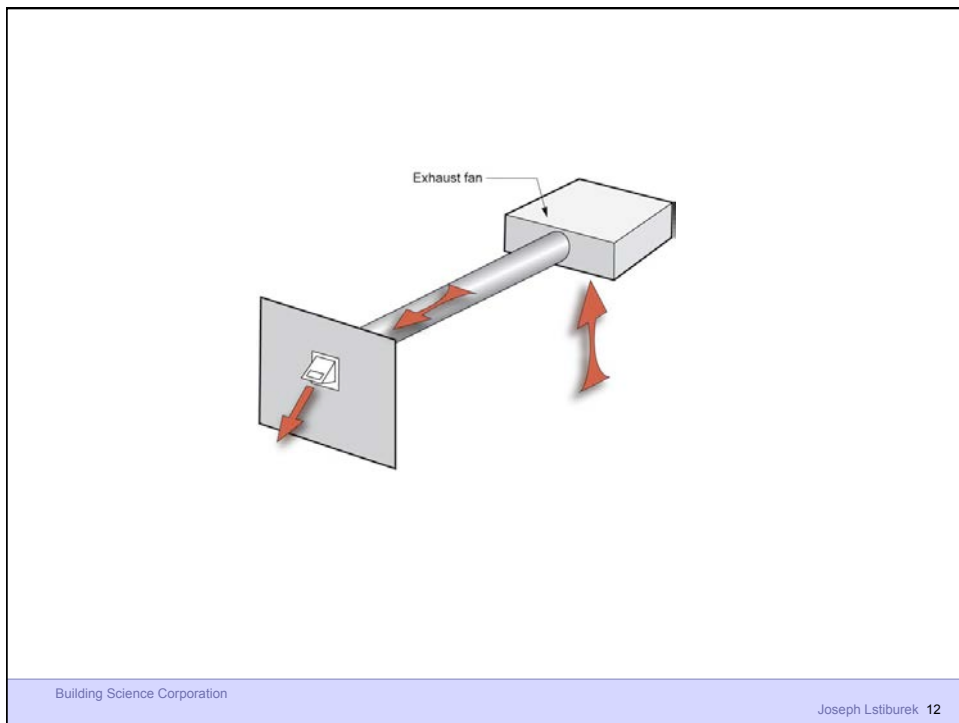
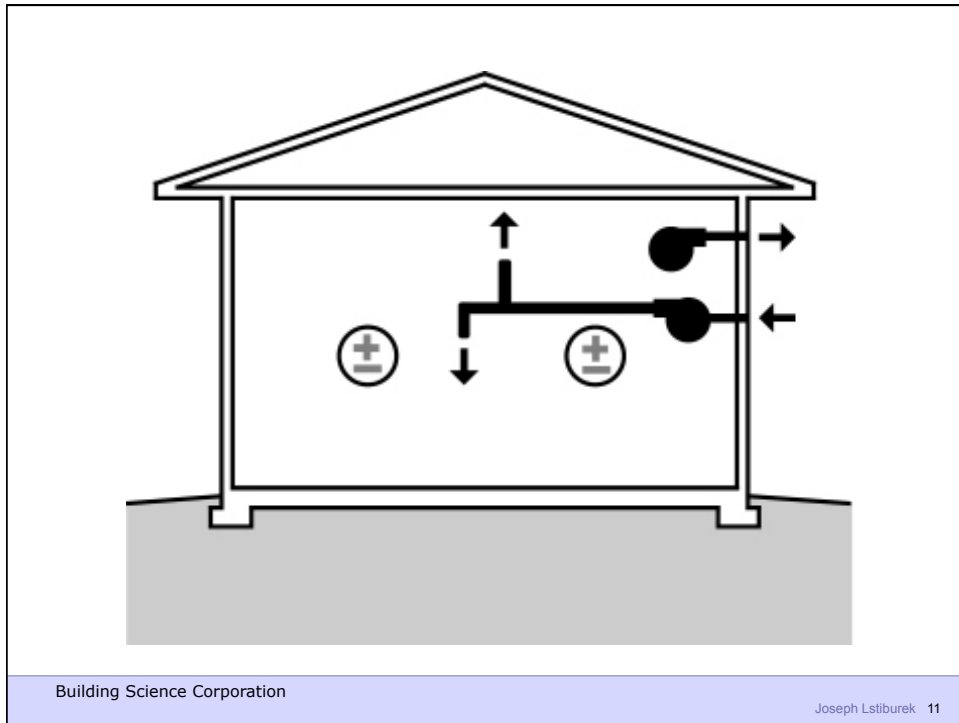
Three Types of Controlled Ventilation Systems

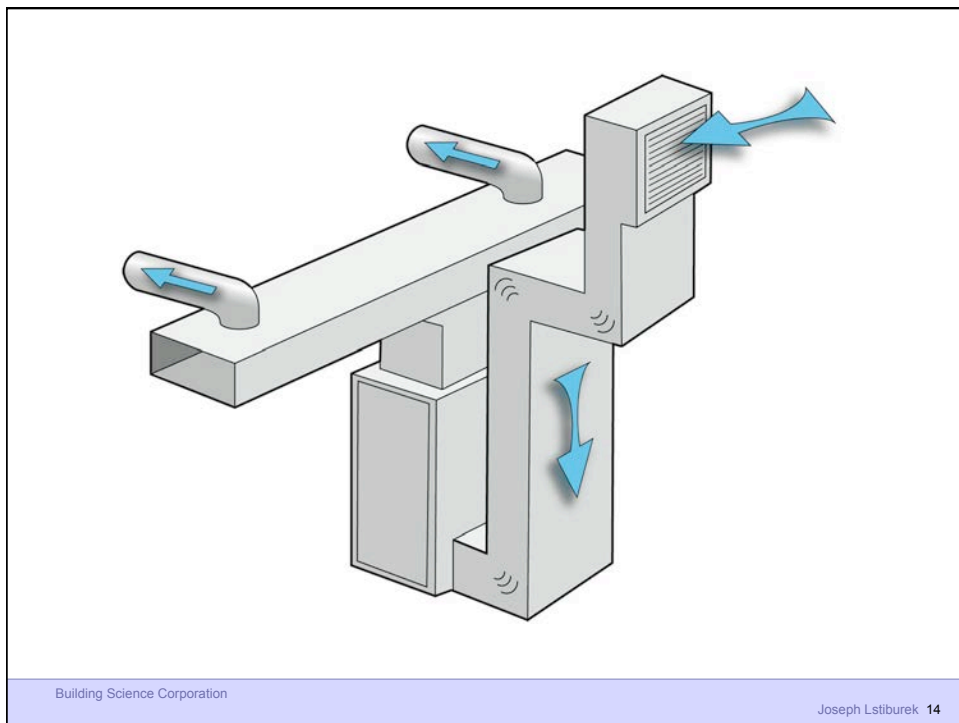
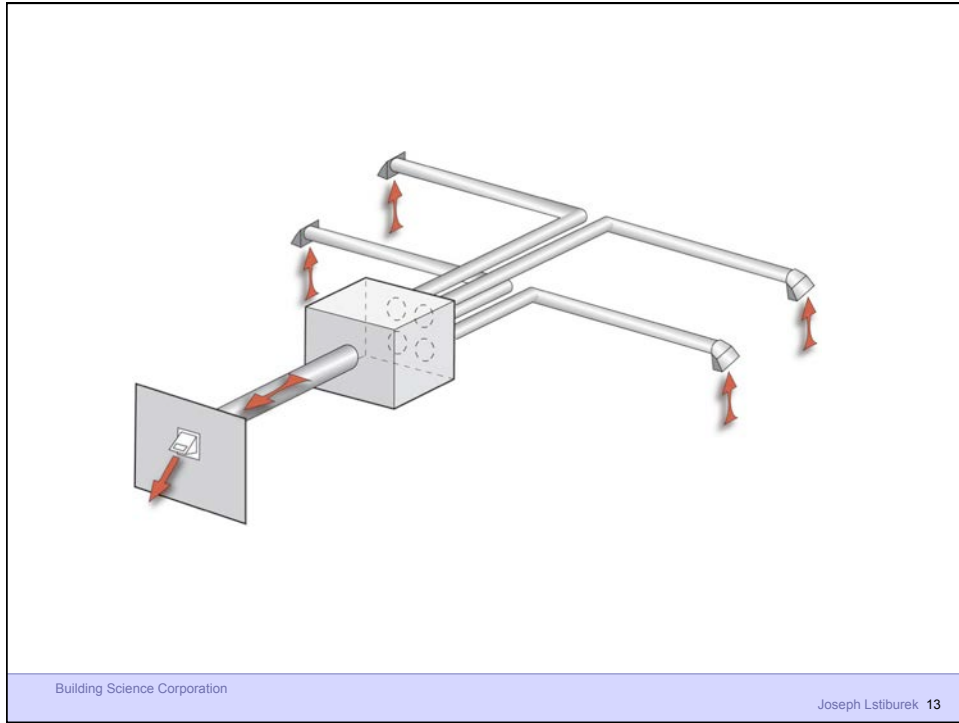
Exhaust Ventilation

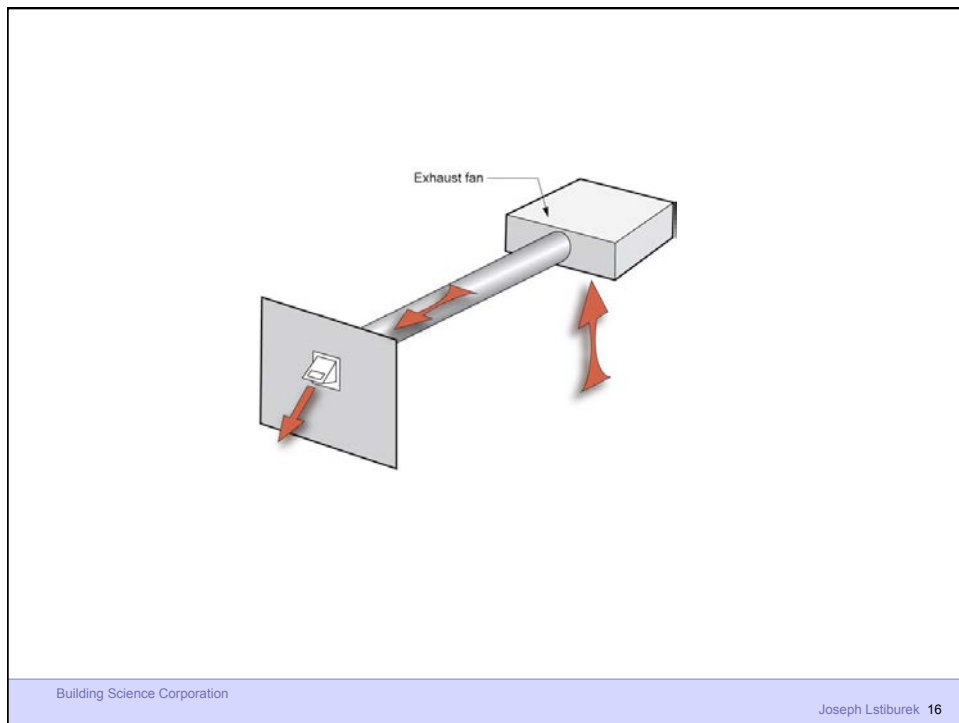
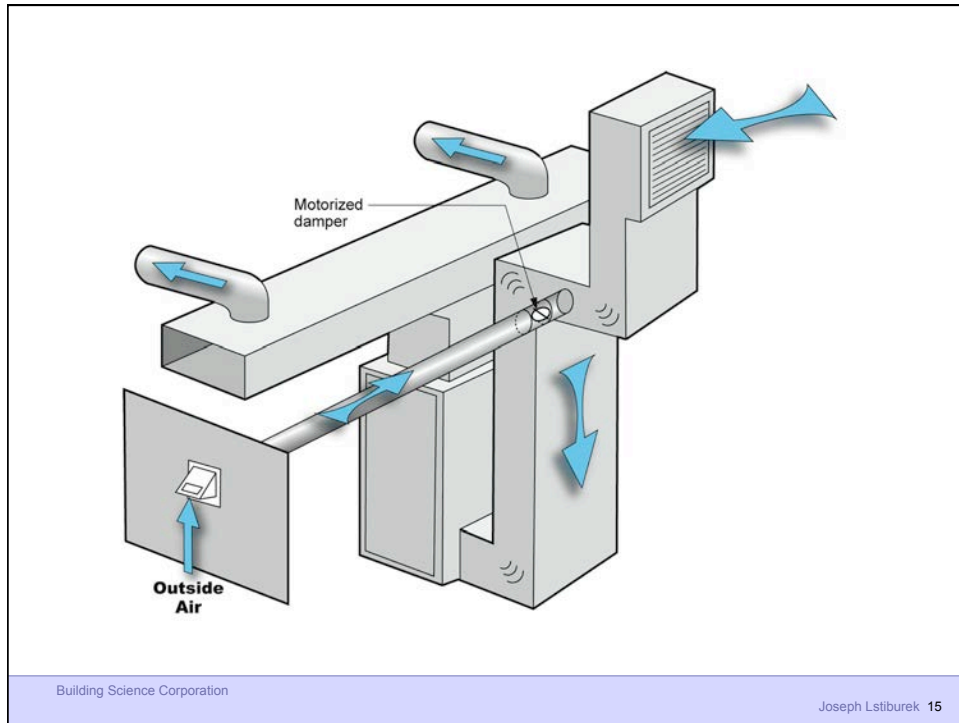
Supply Ventilation

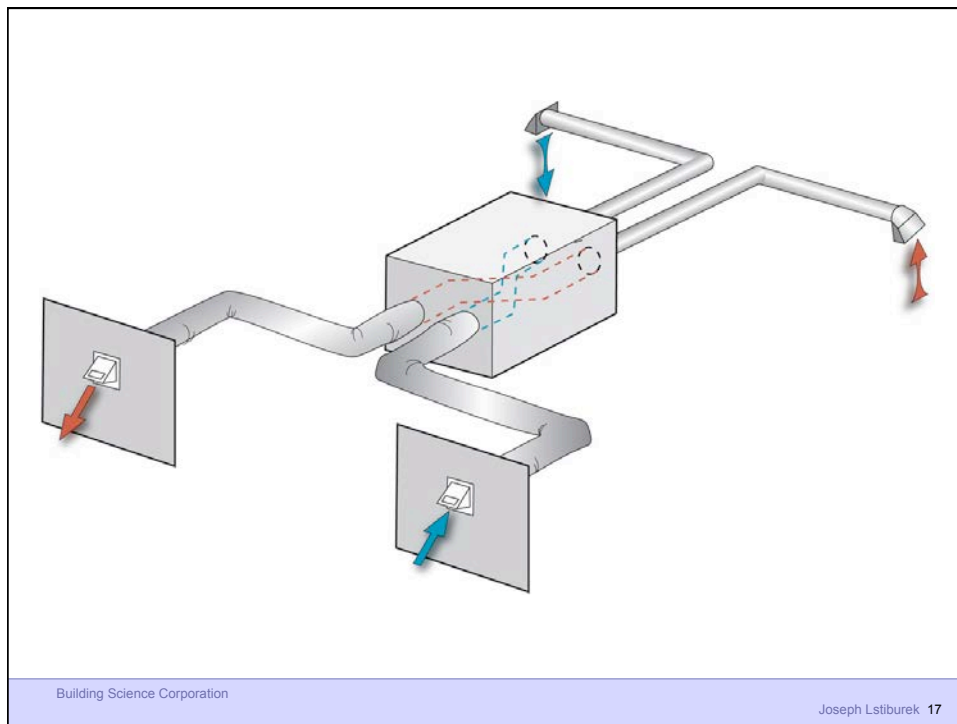
Balanced Ventilation











Ventilation Rates Are Based on Odor Control

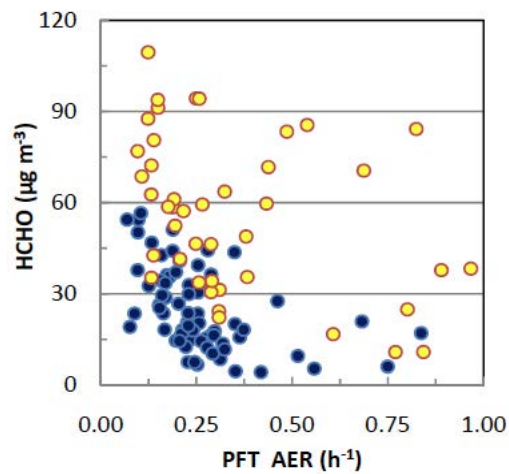
Building Science Corporation

Joseph Lstiburek 18

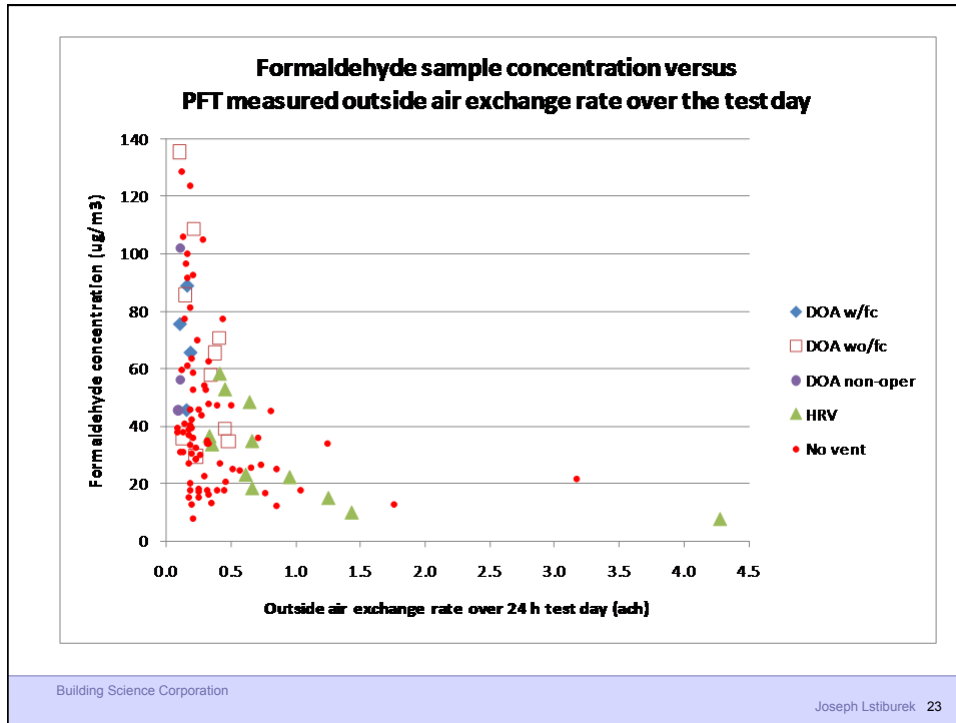
Ventilation Rates Are Based on Odor Control
Health Science Basis for Ventilation Rates is
Extremely Limited

Ventilation Rates Are Based on Odor Control
Health Science Basis for Ventilation Rates is
Extremely Limited
Almost Nothing Cited Applies to Housing

Ventilation Rates Are Based on Odor Control
Health Science Basis for Ventilation Rates is
Extremely Limited
Almost Nothing Cited Applies to Housing
The Applicable Studies Focus on Dampness



Aubin, D., Won, D.Y., Schleibinger, H., 2010



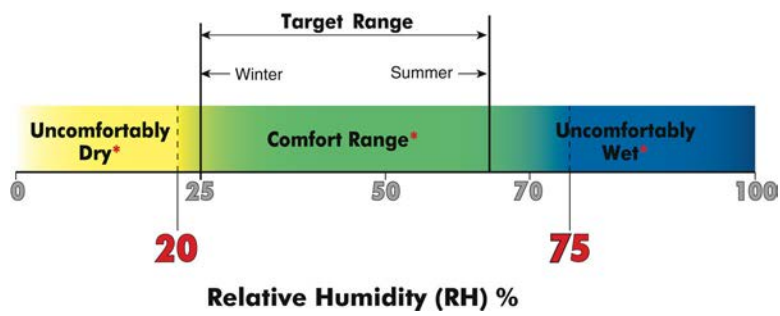
Dilution Is Not The Solution To Indoor Pollution

Source Control

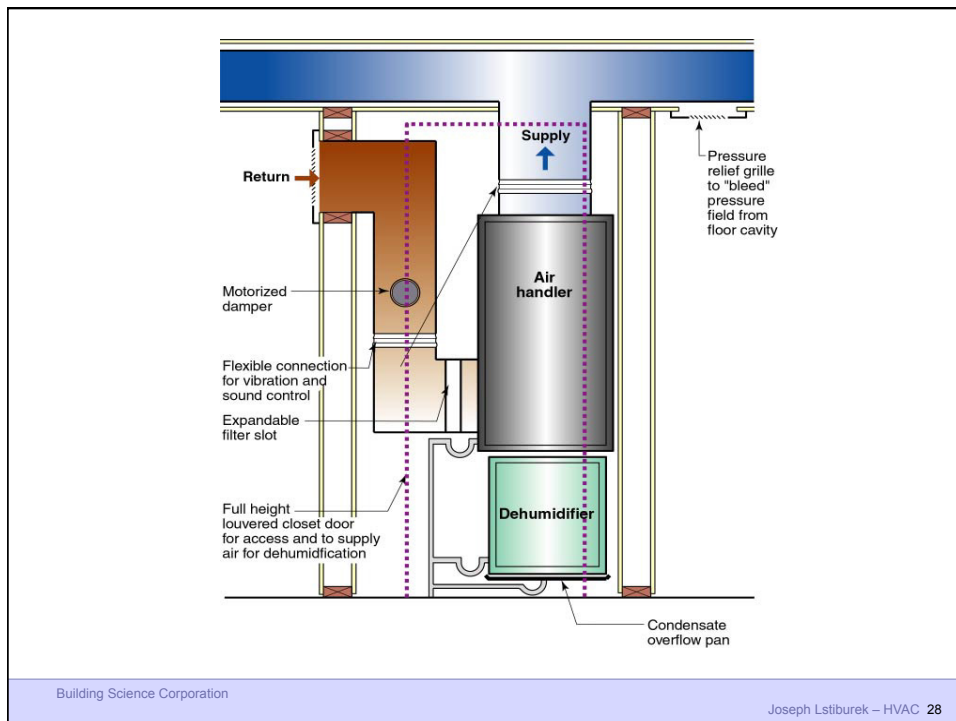
Building Science Corporation

Joseph Lstiburek 24

Dilution For People Source Control For The Building



Recommended Range of Relative Humidity
 Above 25 percent during winter
 Below 70 percent during summer

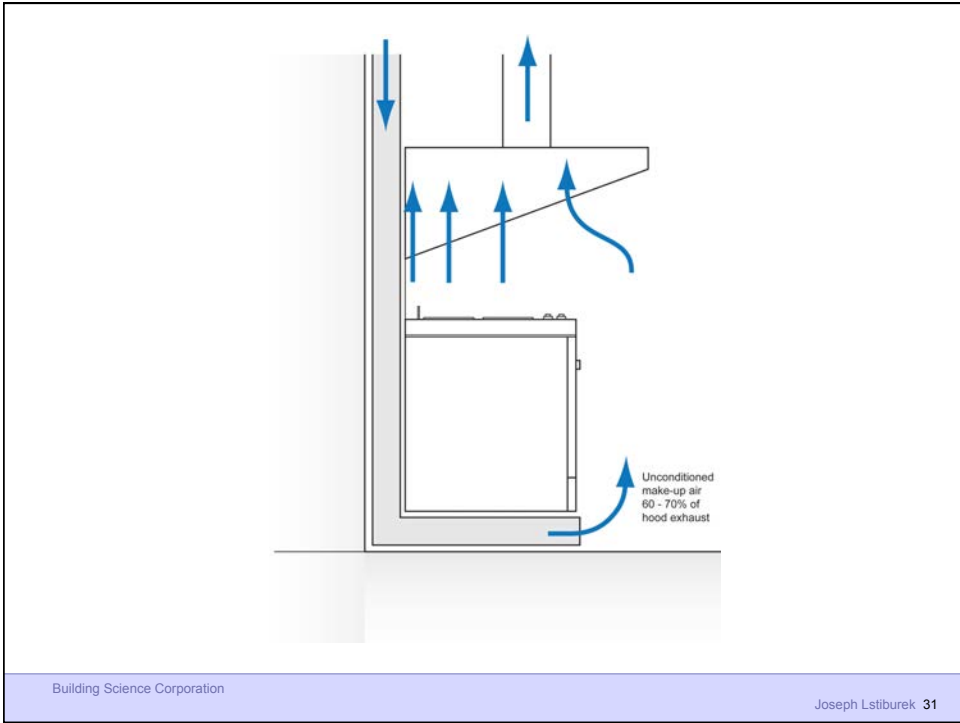


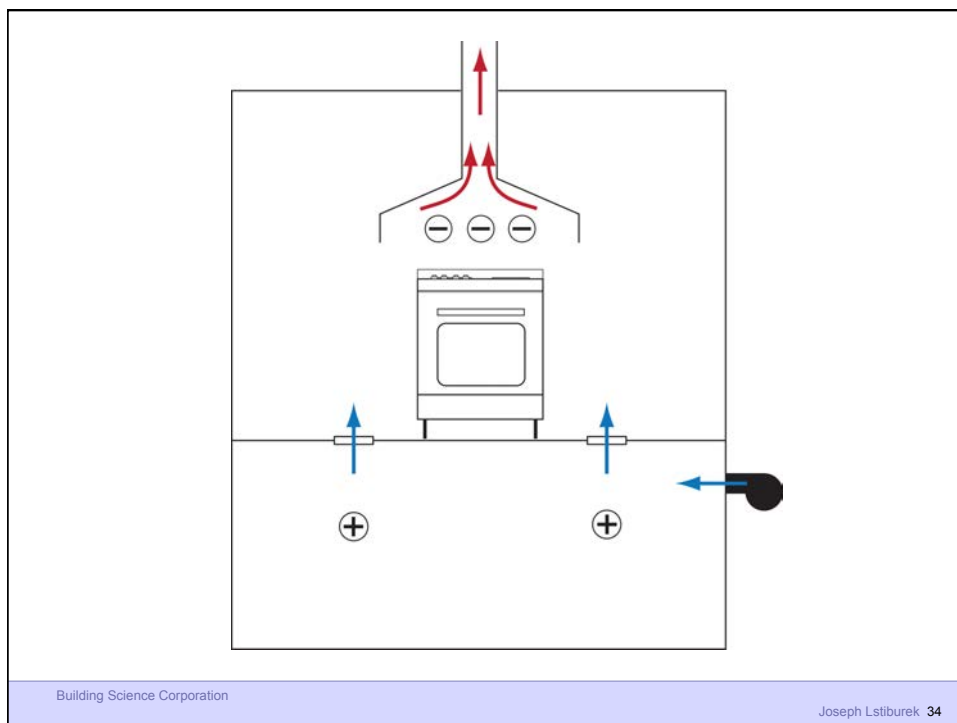
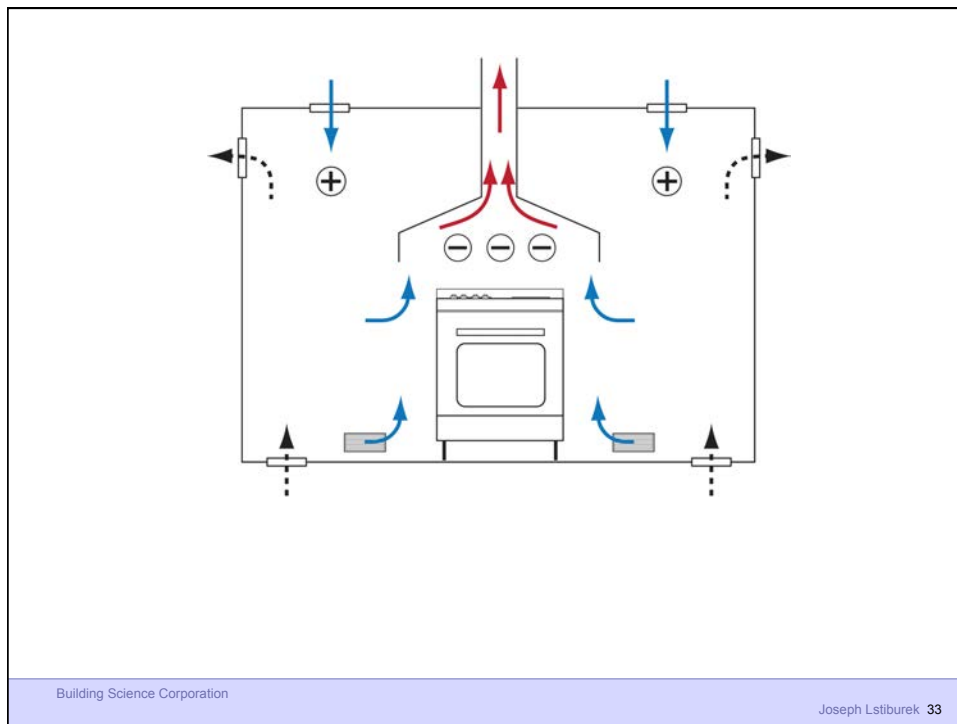


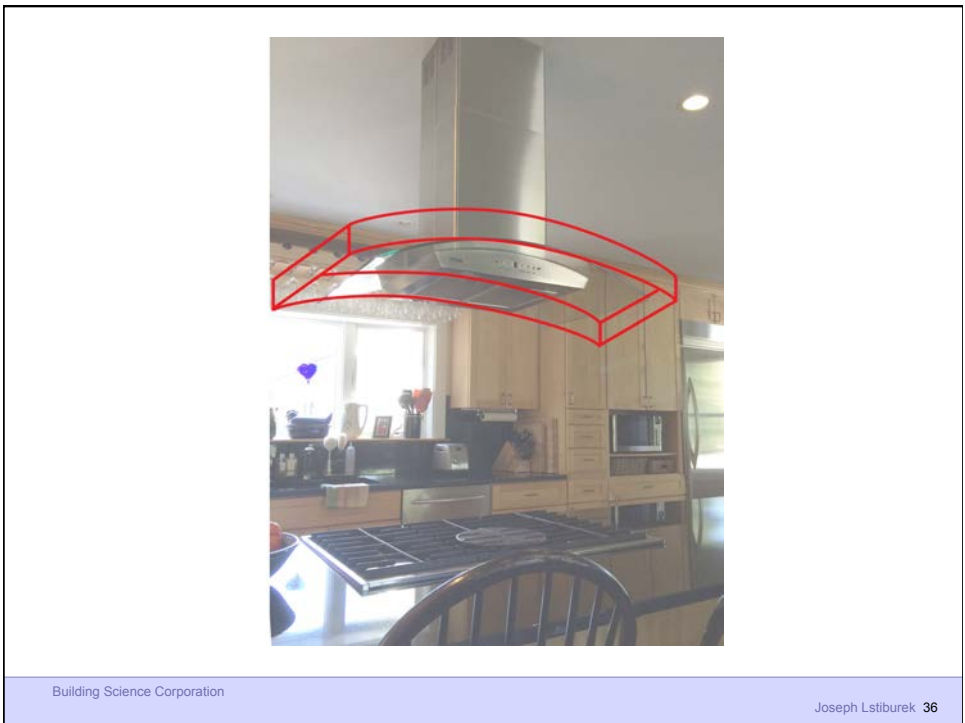
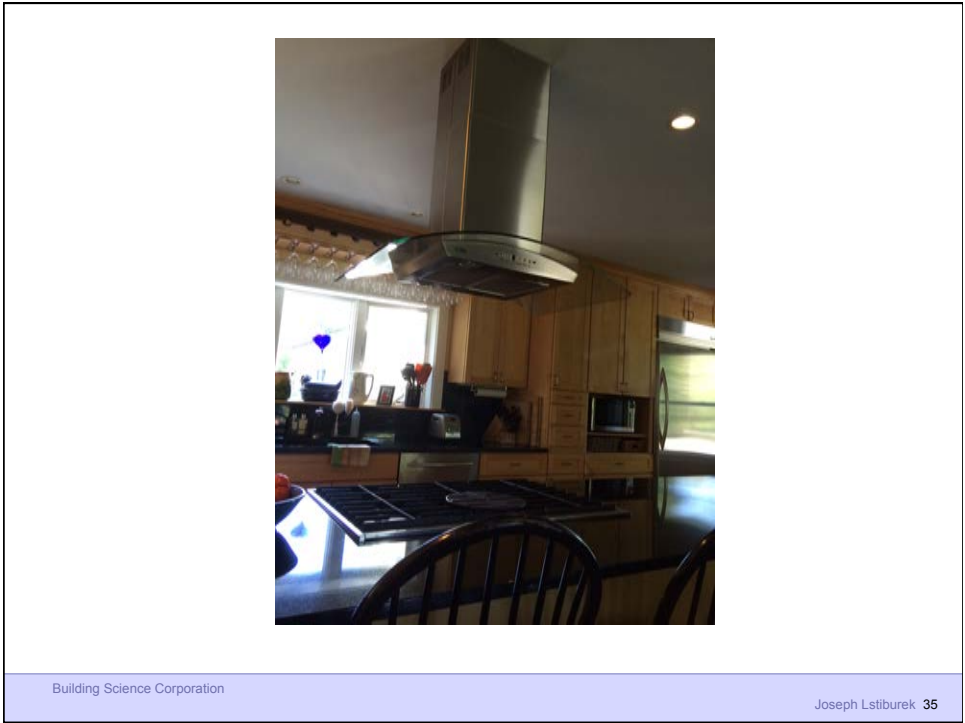
Kitchen Exhaust Hoods

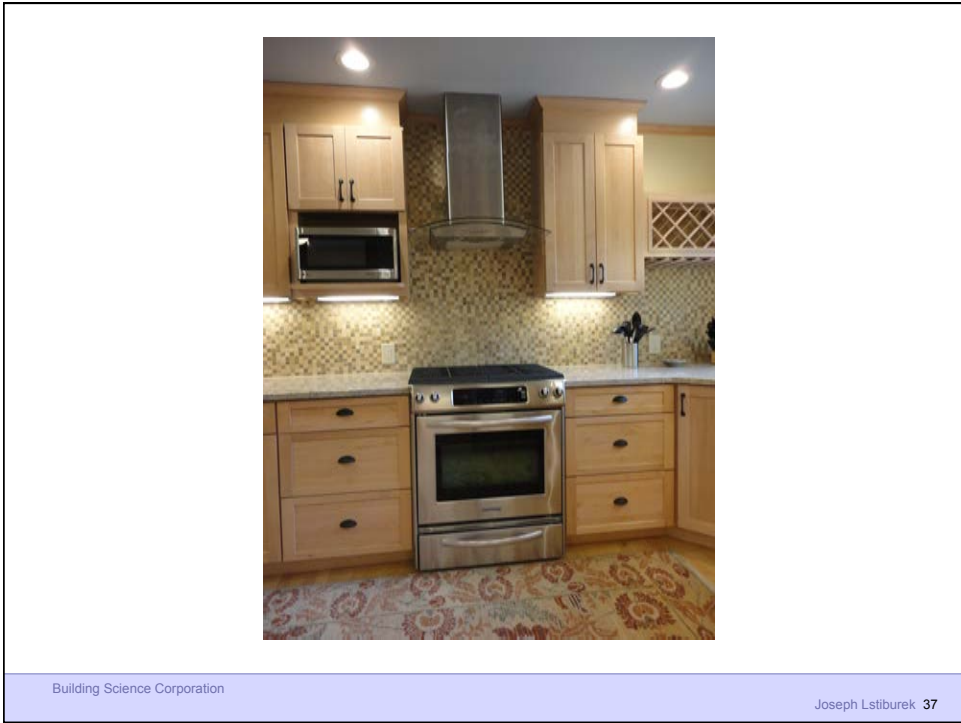
Building Science Corporation

Joseph Lstiburek 30











Clothes Dryers



Fireplaces





Building Science Corporation

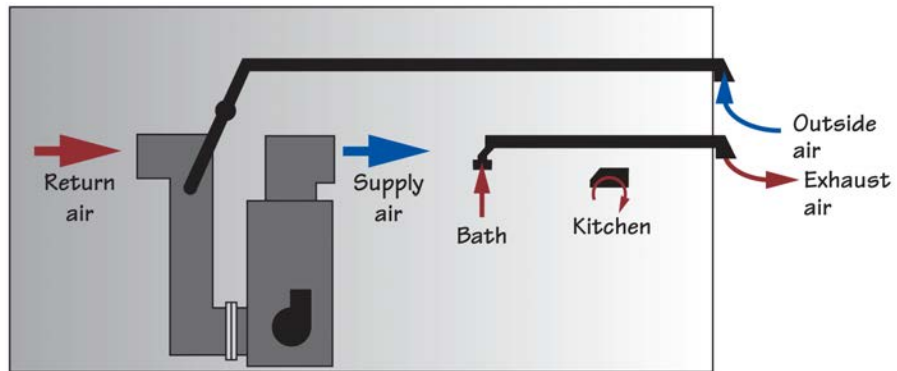
Joseph Lstiburek 45

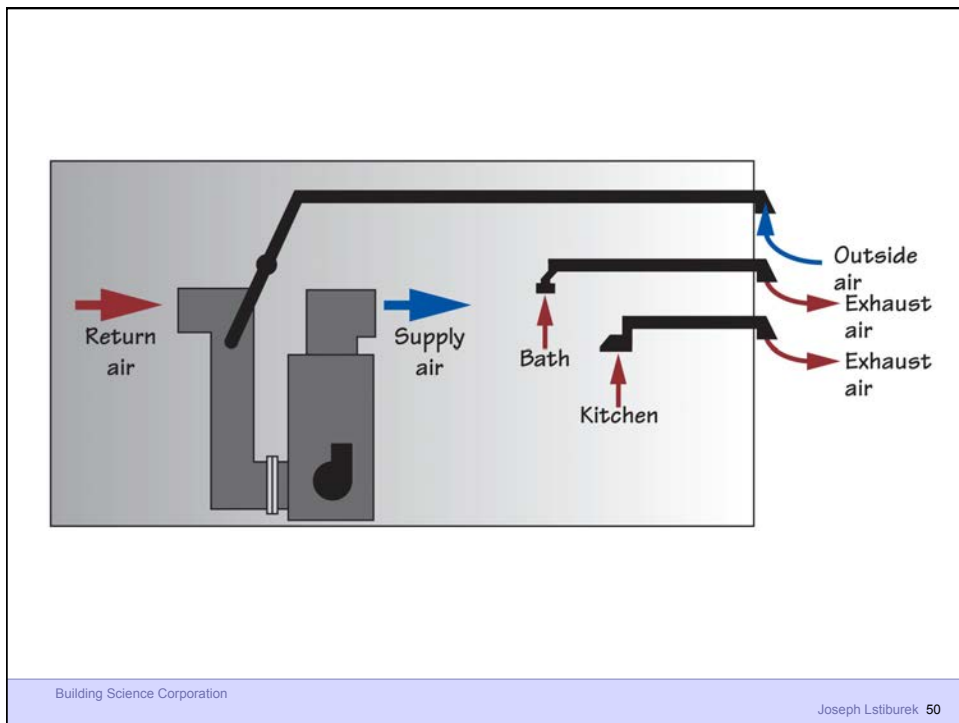
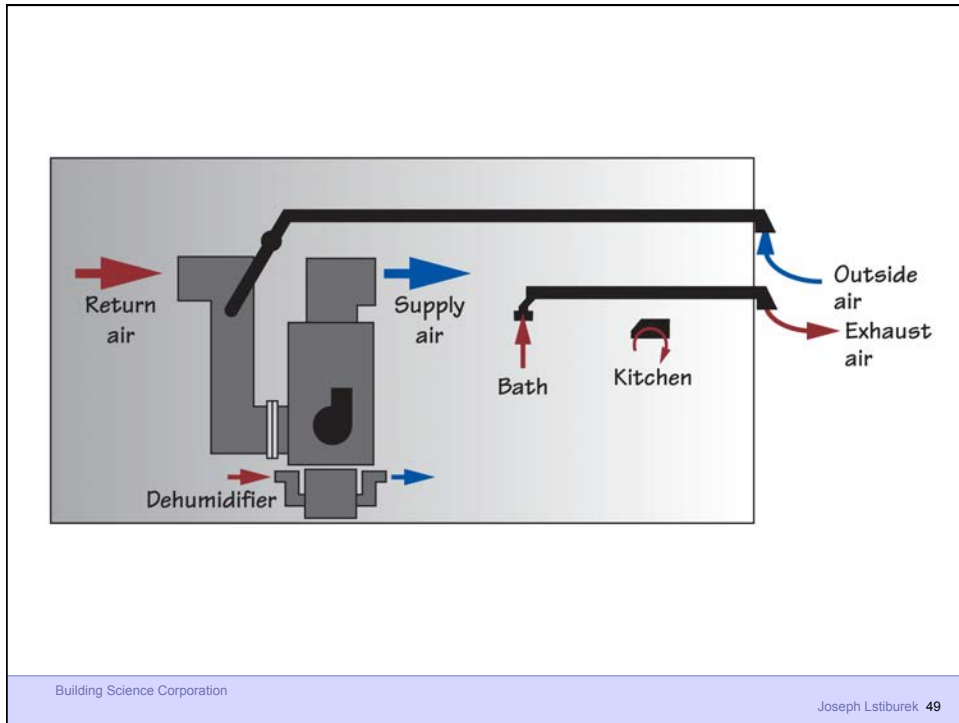


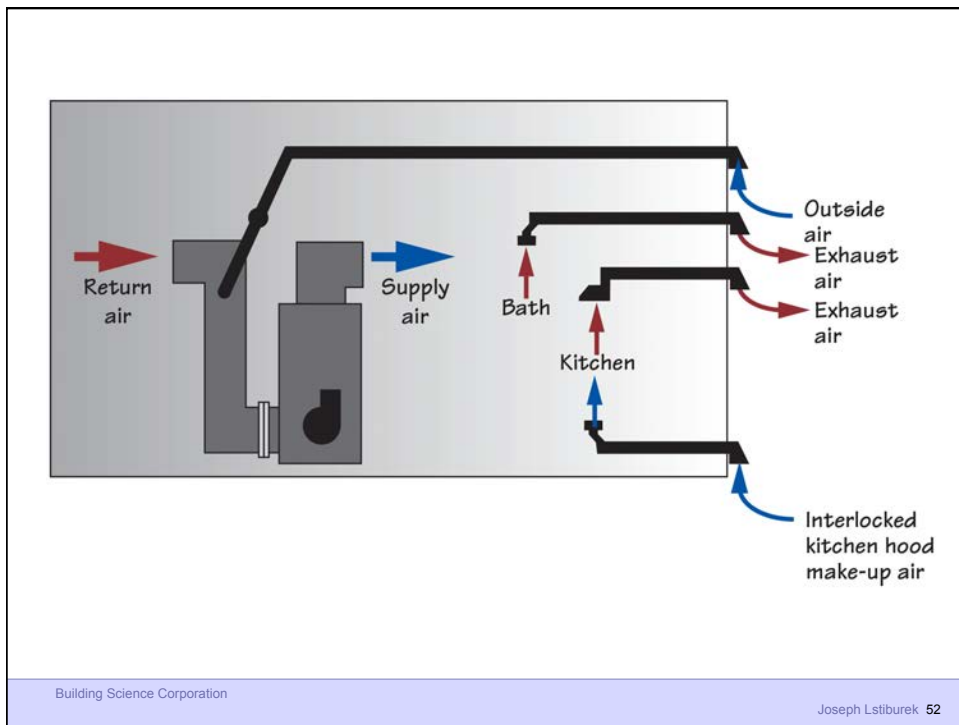
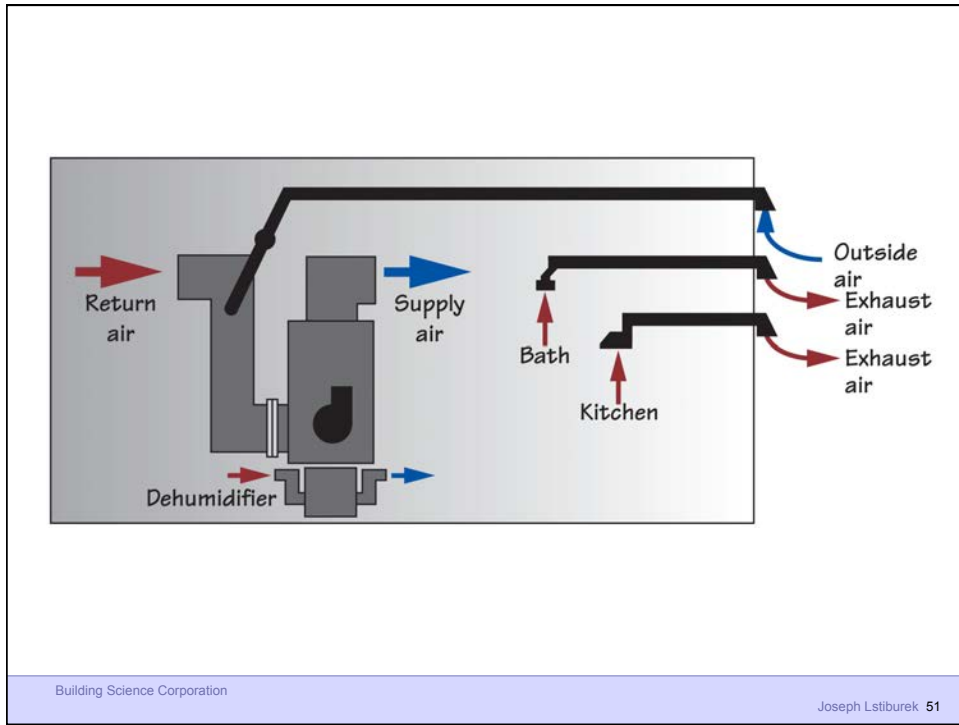
Building Science Corporation

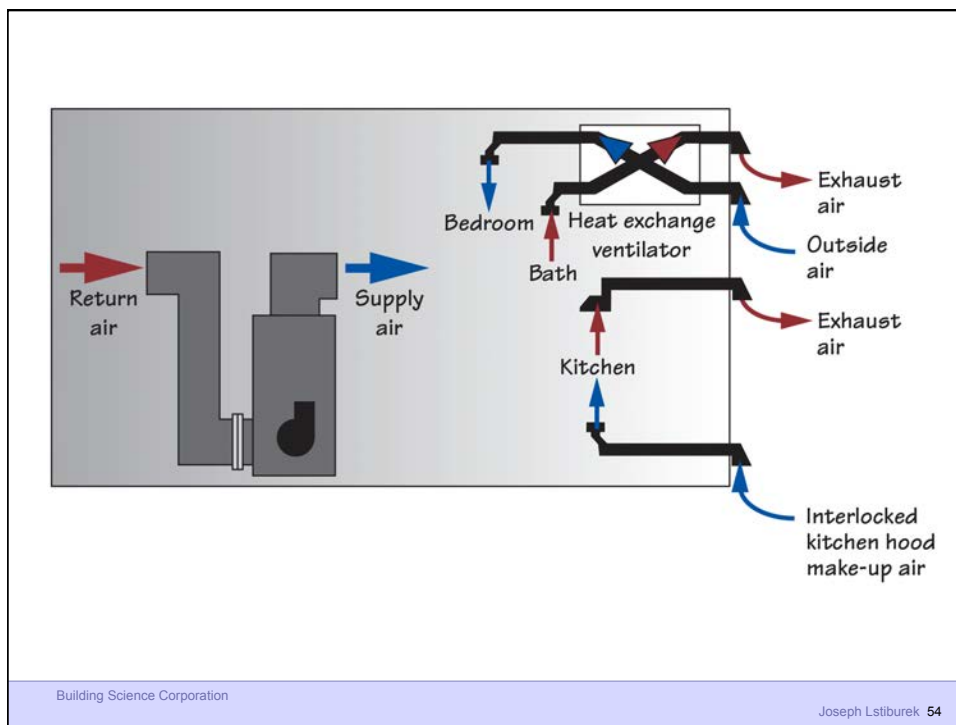
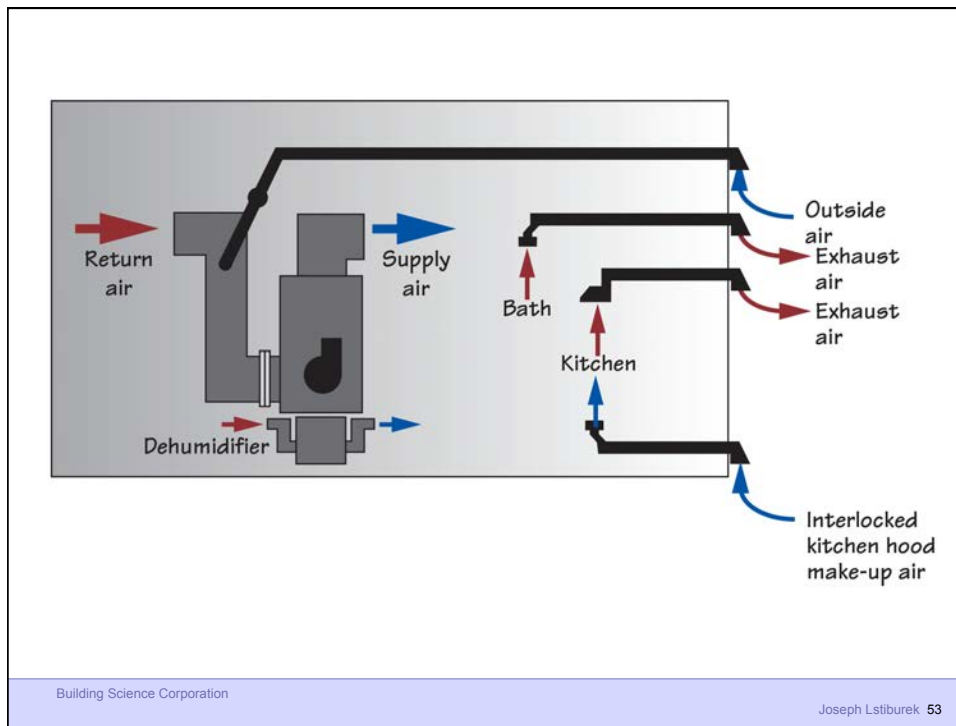
Joseph Lstiburek 46

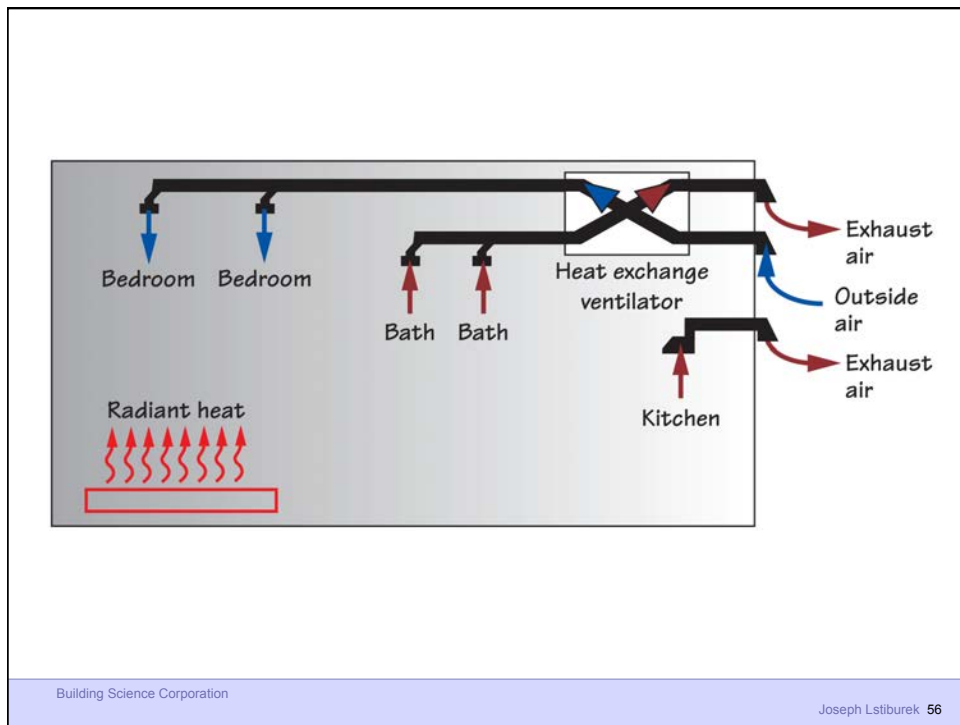
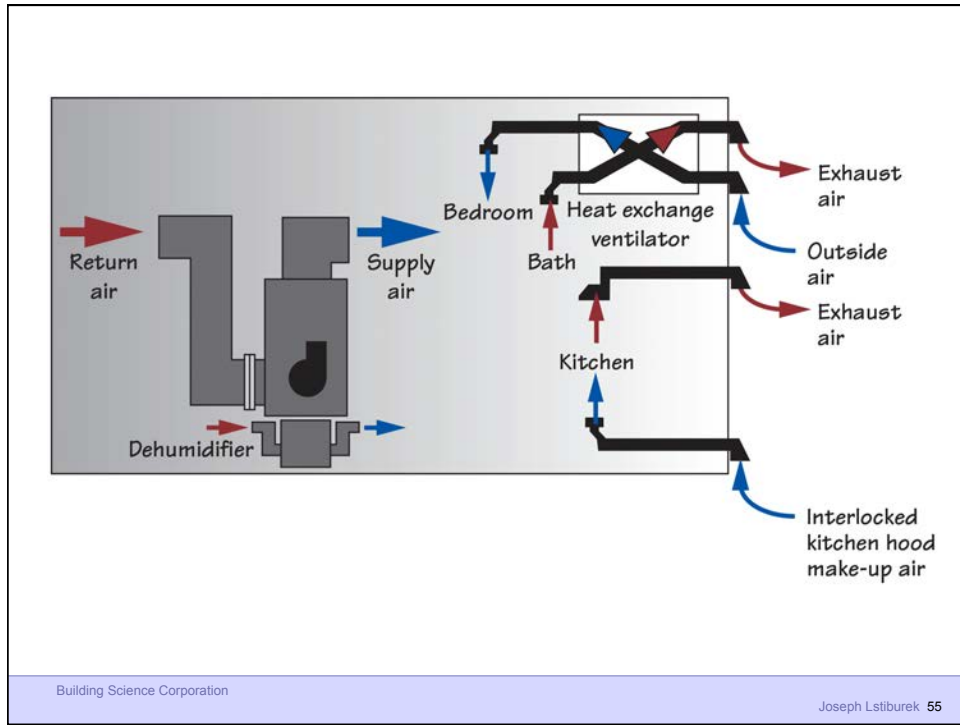
Approaches

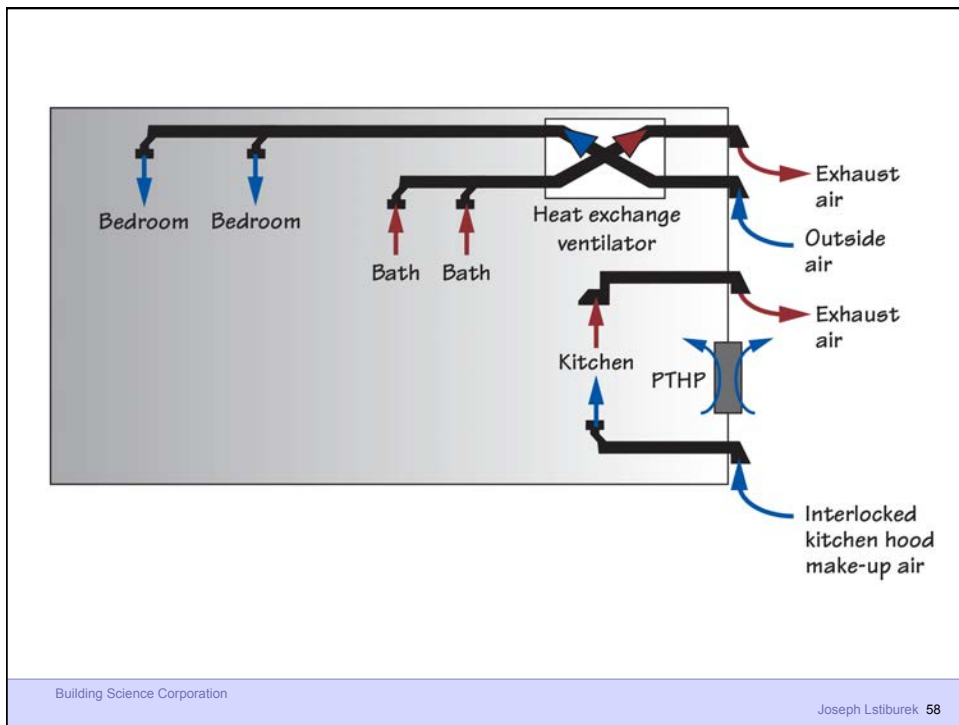
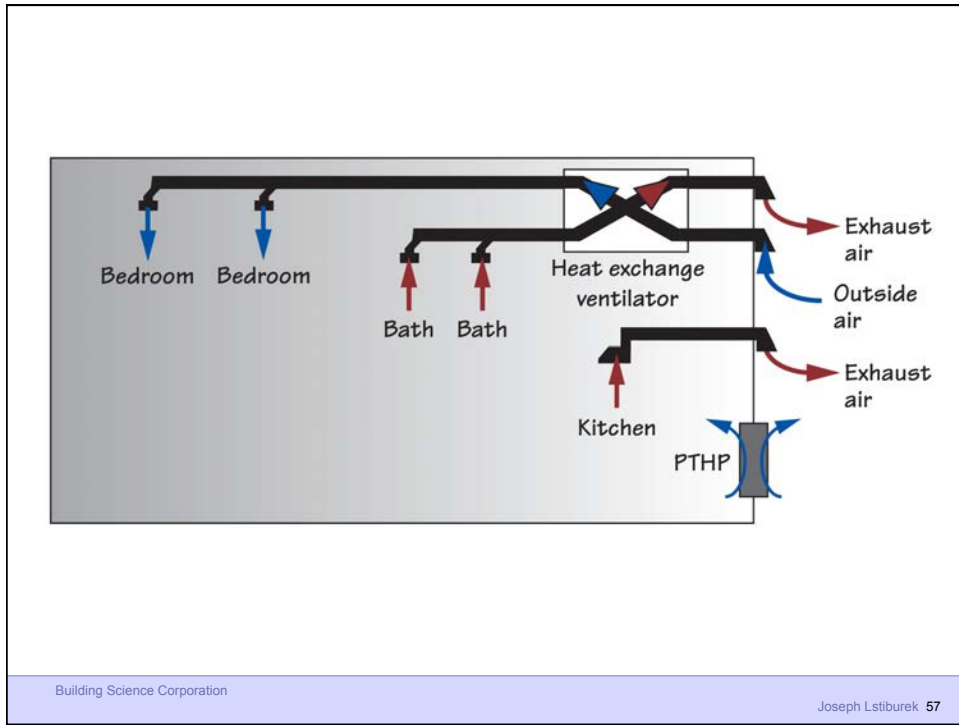


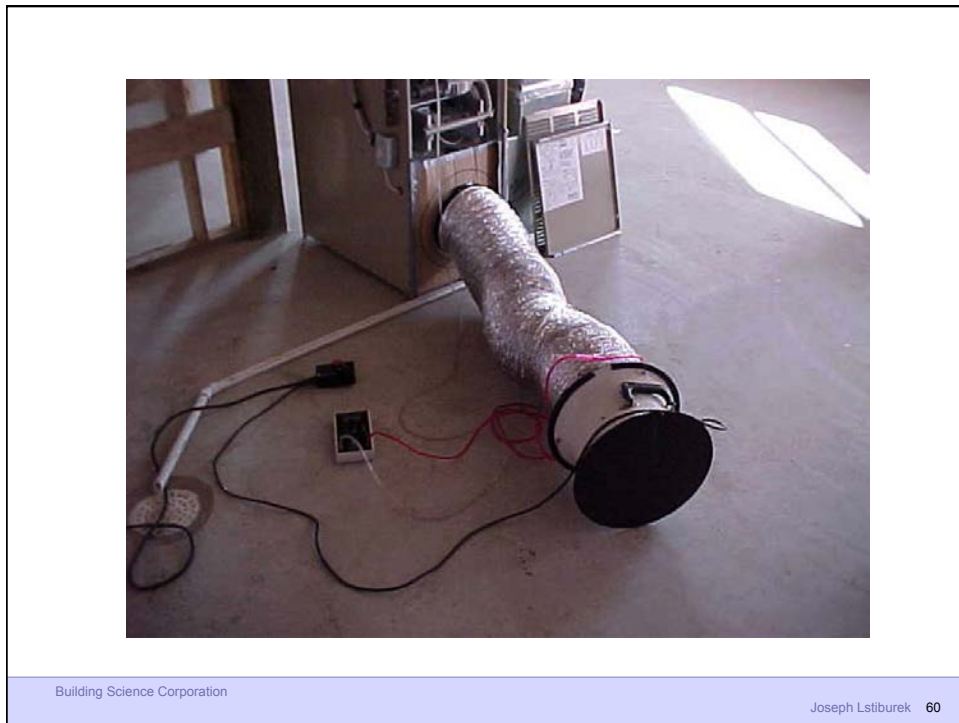
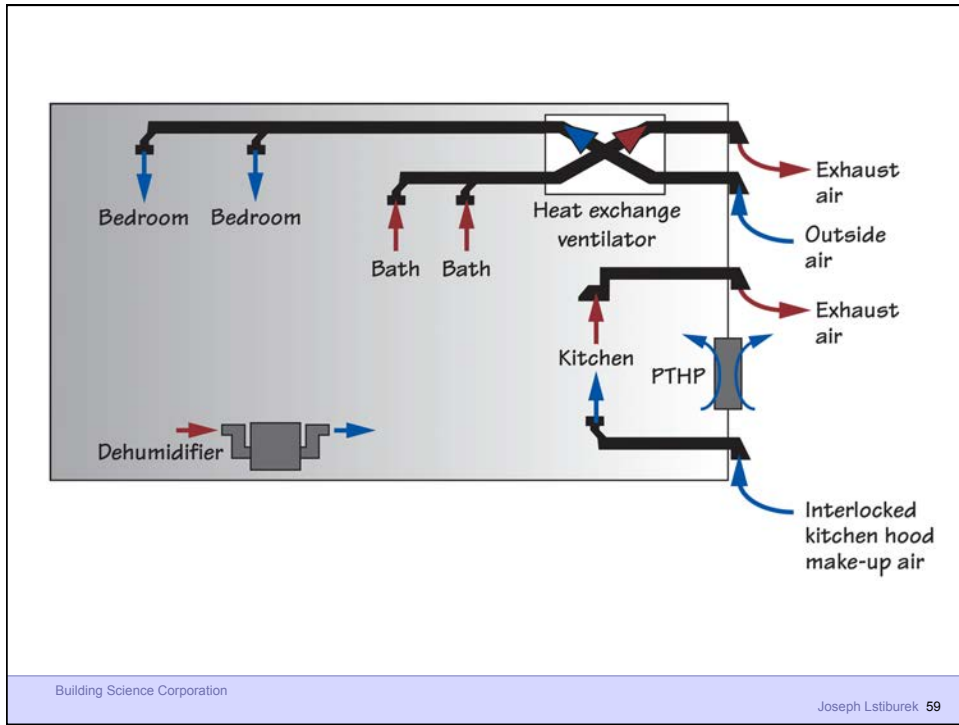












Duct Leakage Should Be Less Than 5% of Rated Flow As Tested by Pressurization To 25 Pascals

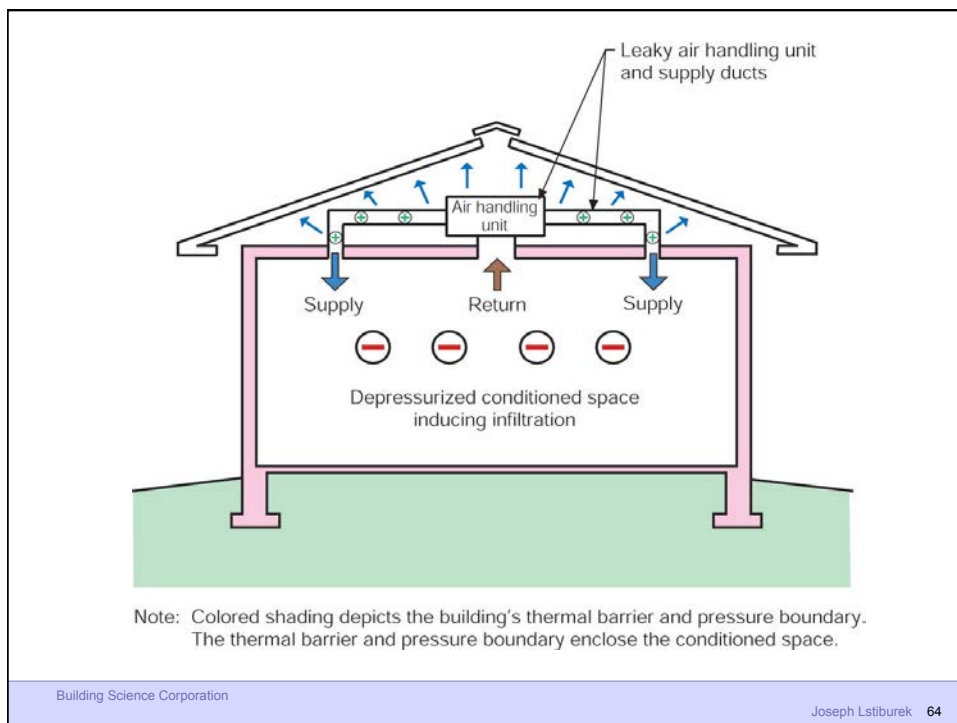
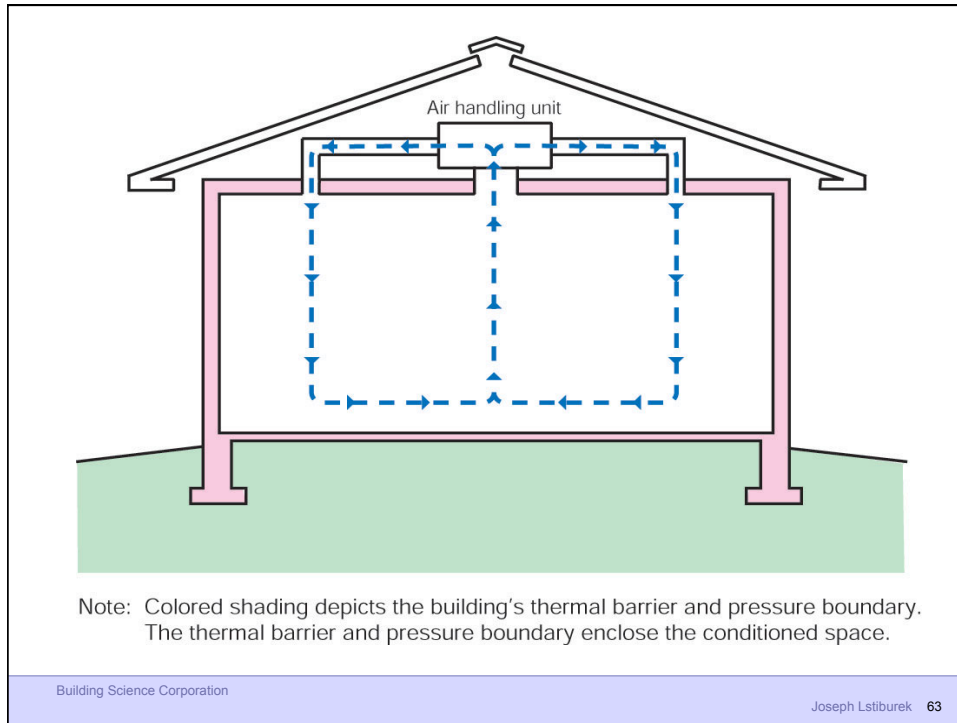
Building Science Corporation

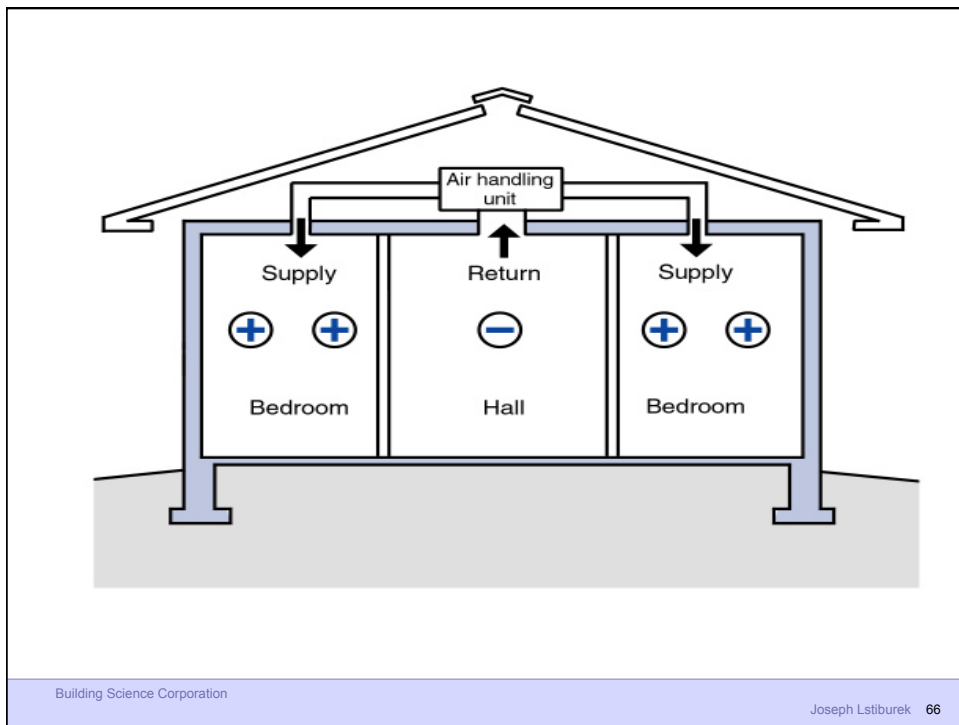
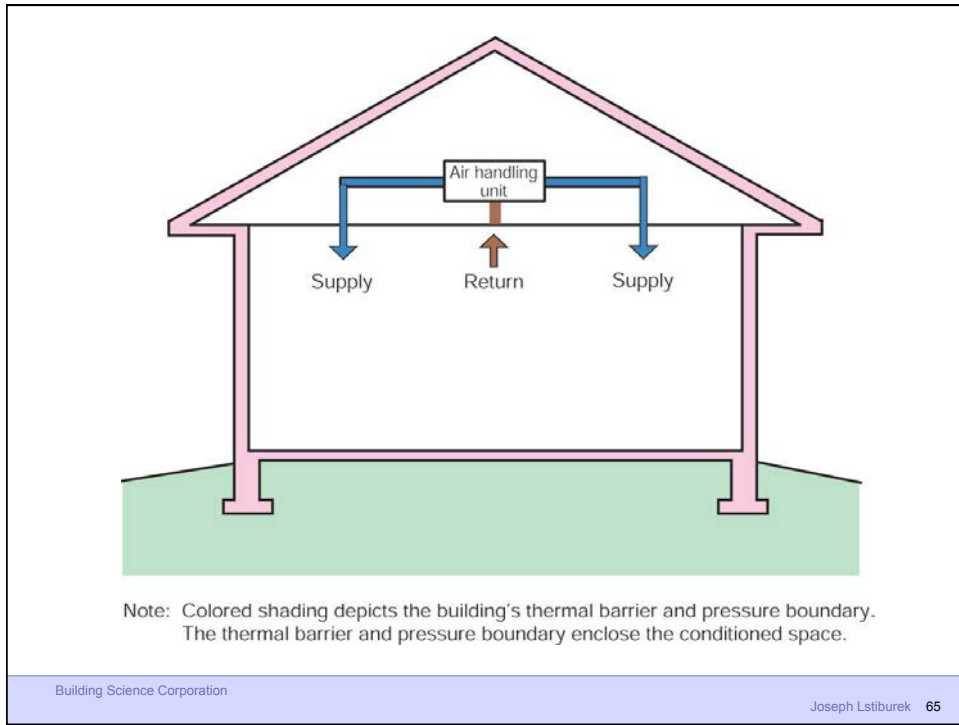
Joseph Lstiburek 61

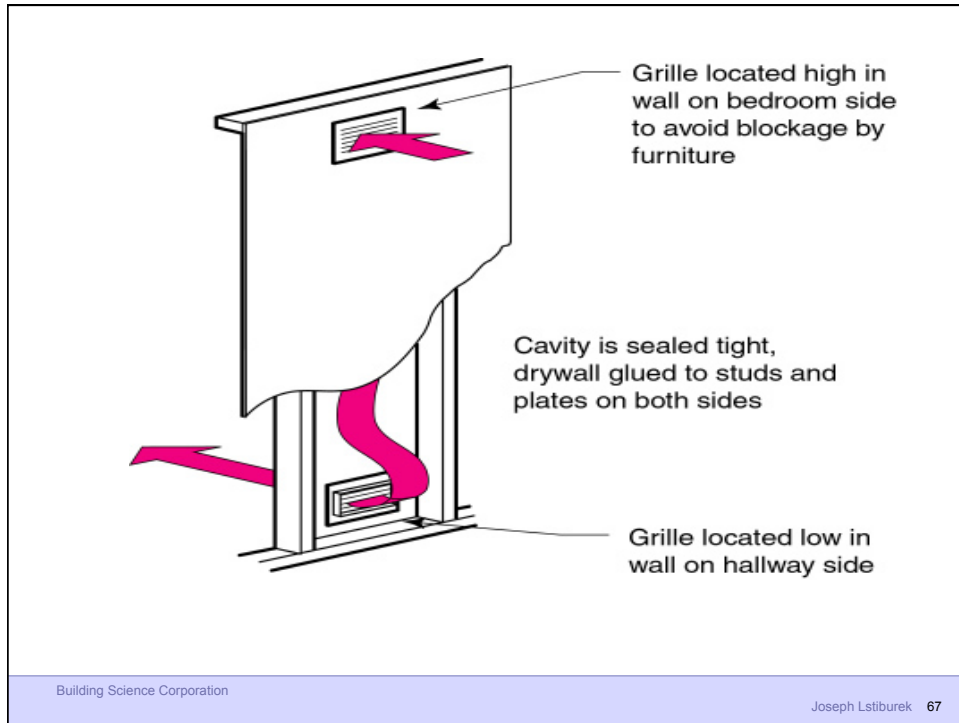


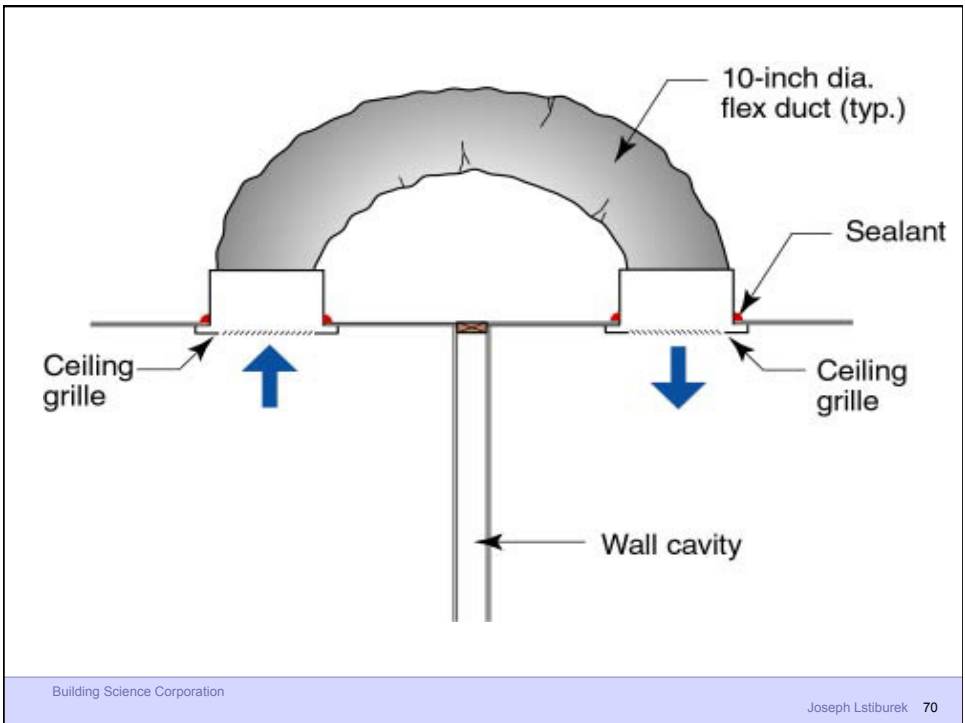
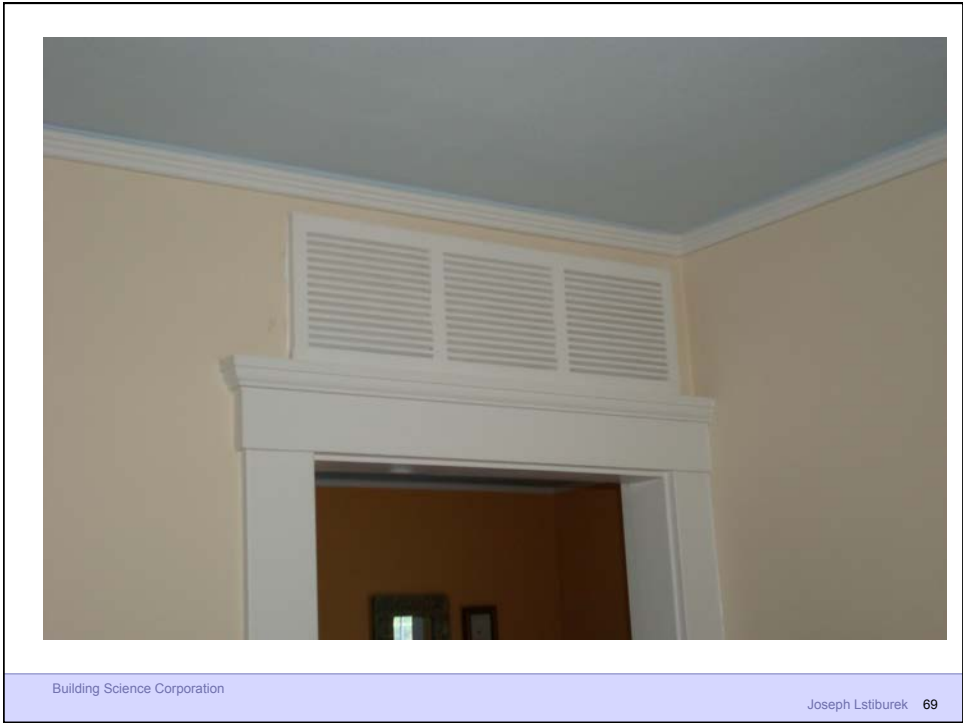
Building Science Corporation

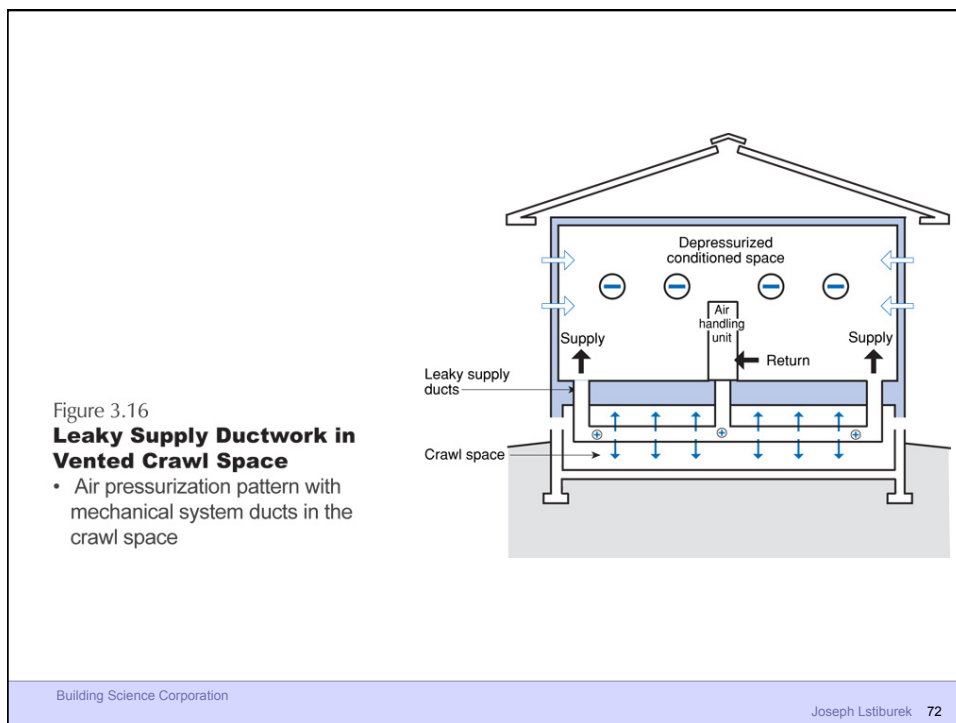
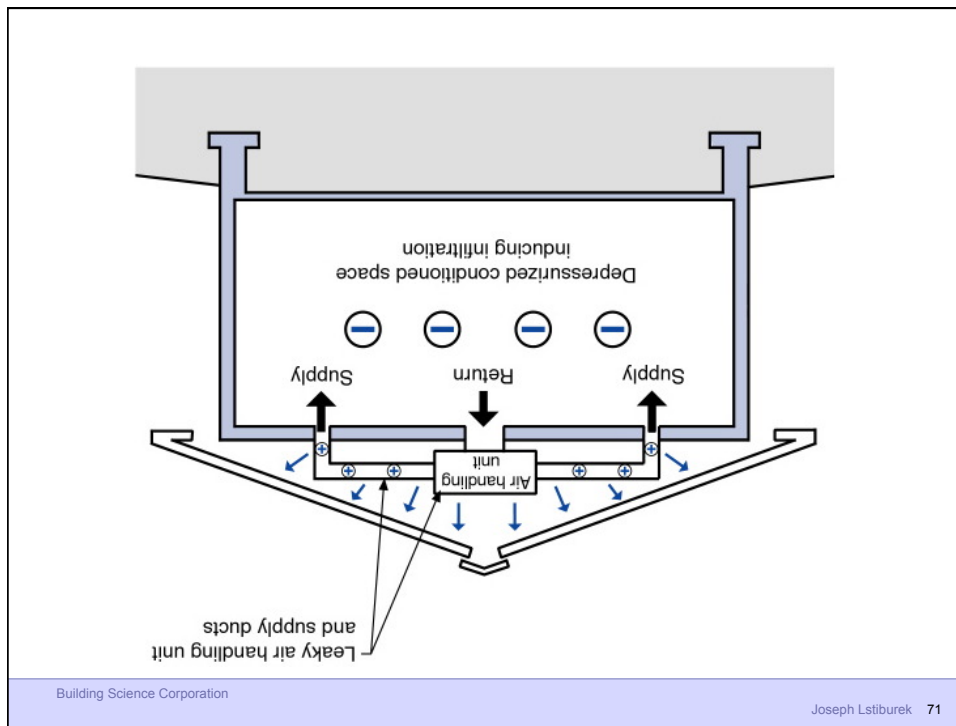
Joseph Lstiburek 62

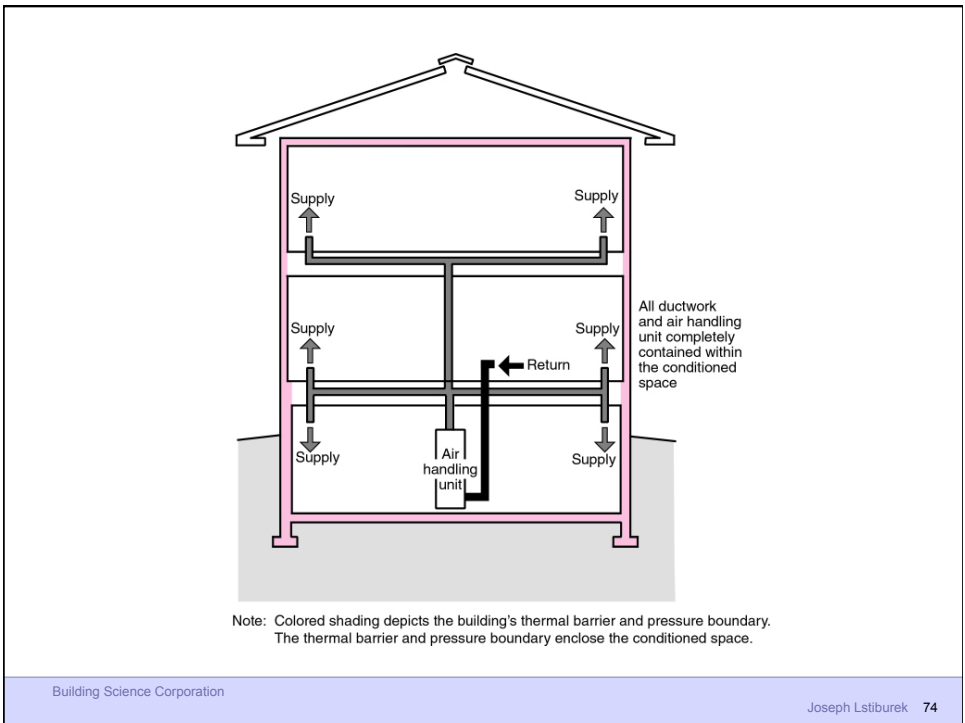


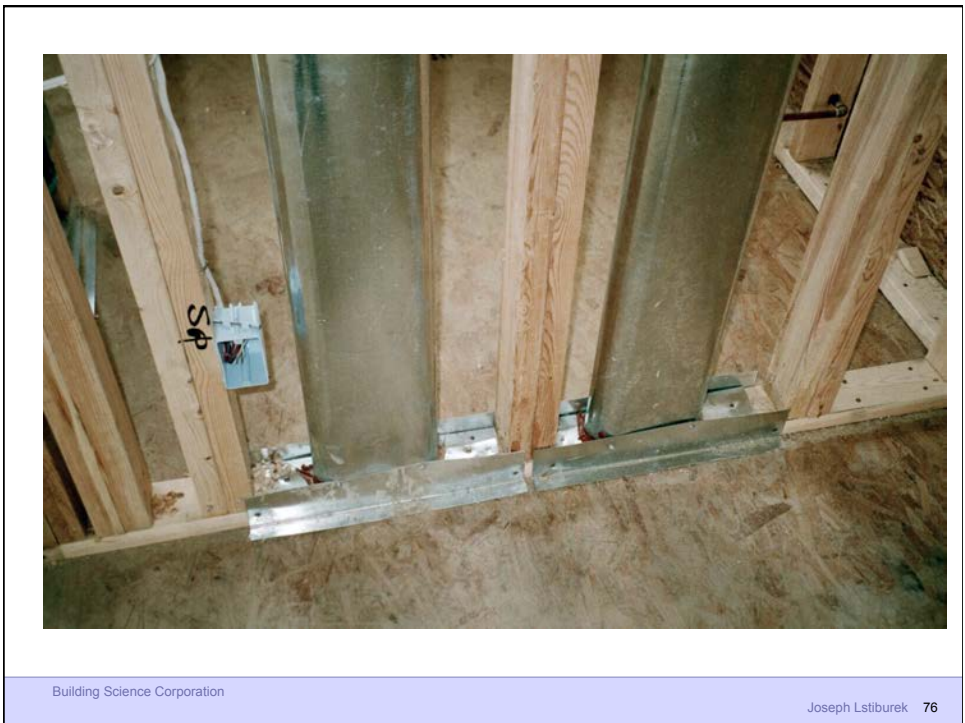


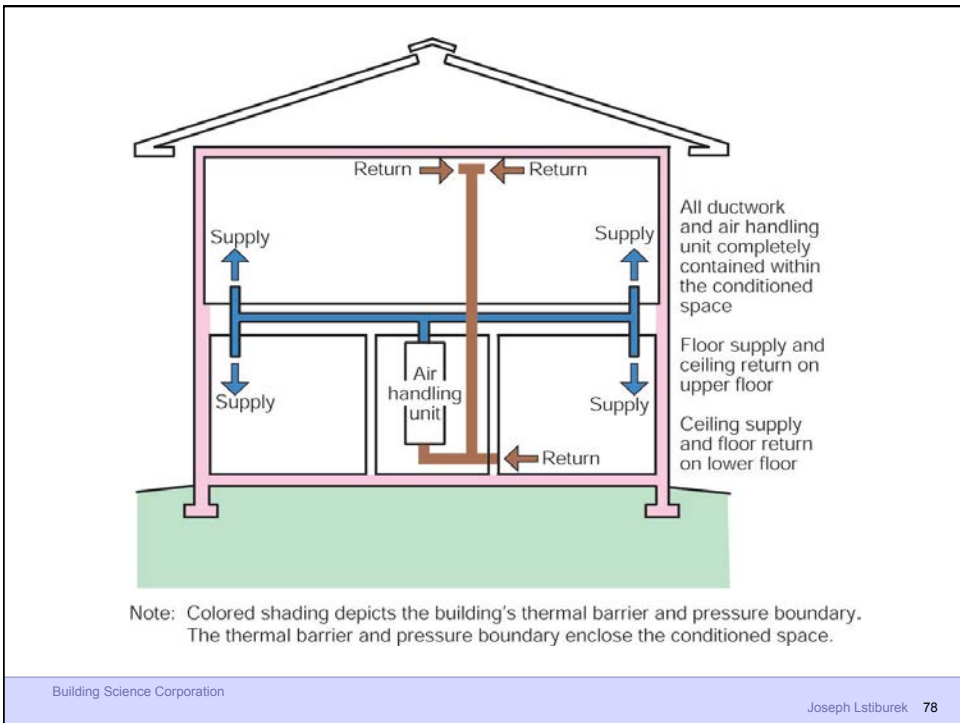
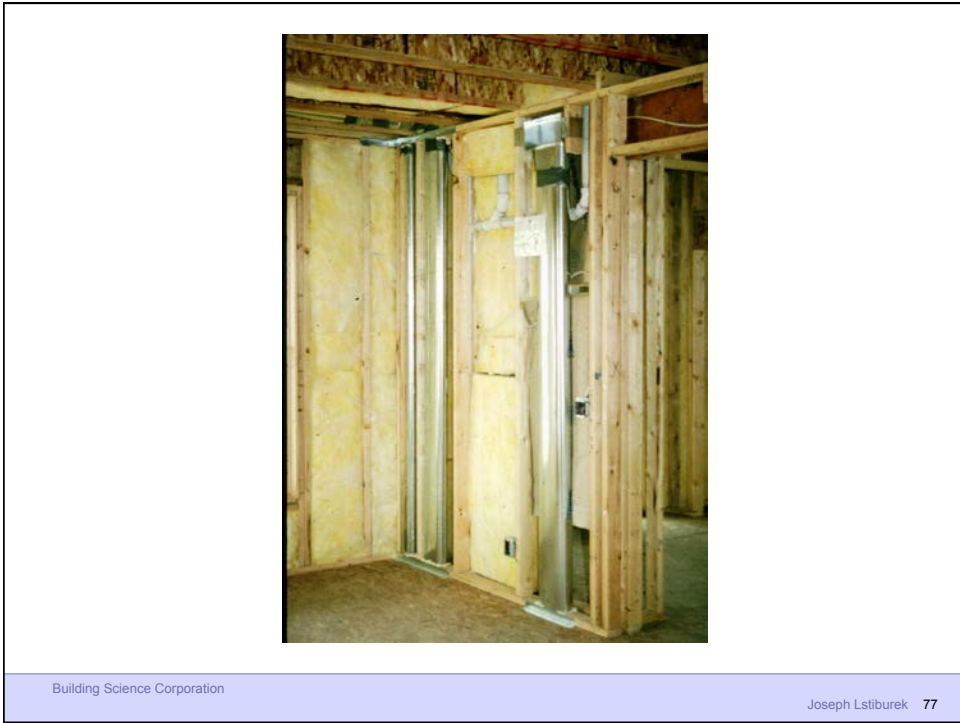


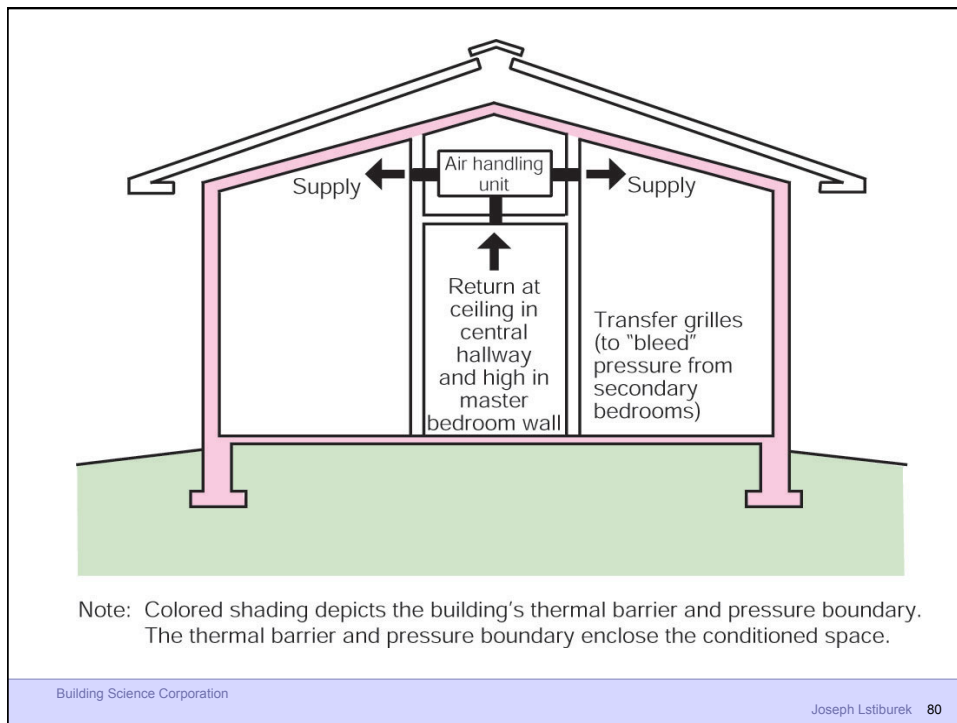
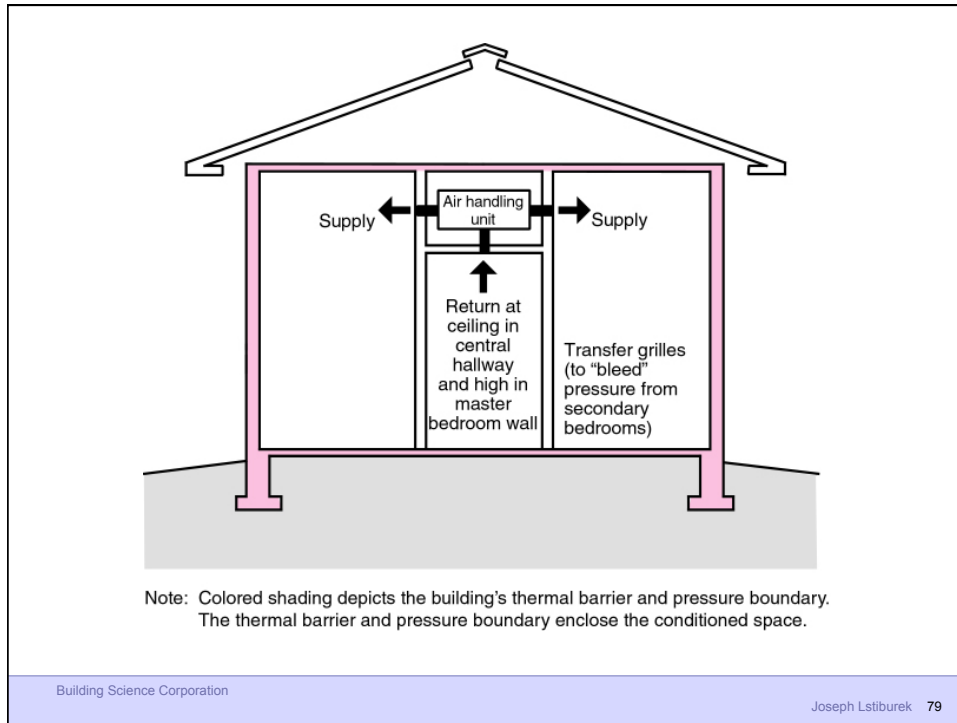




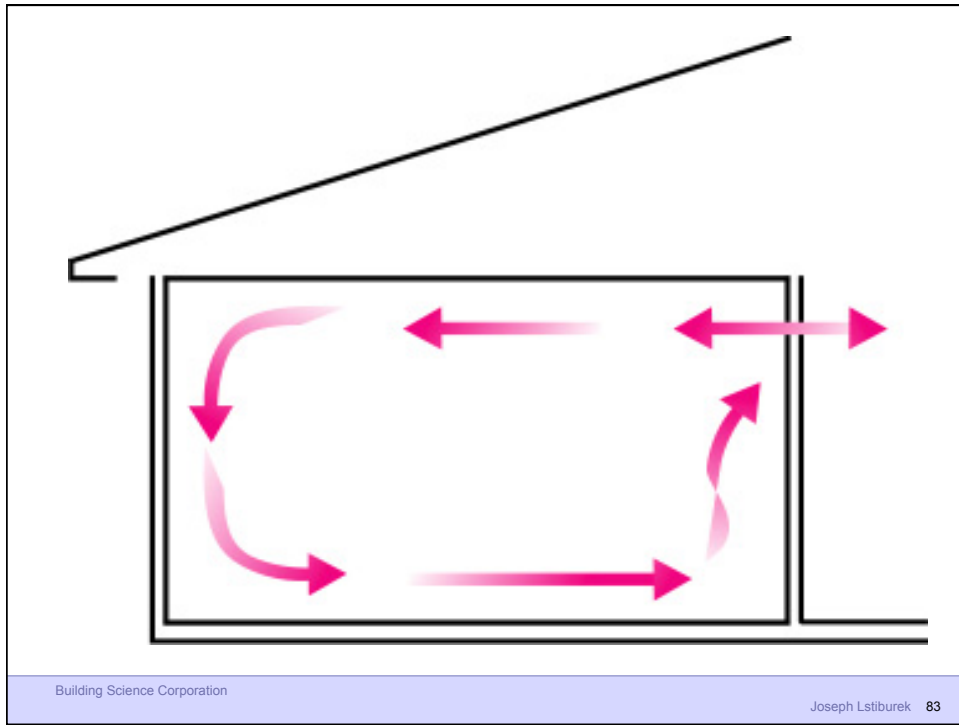


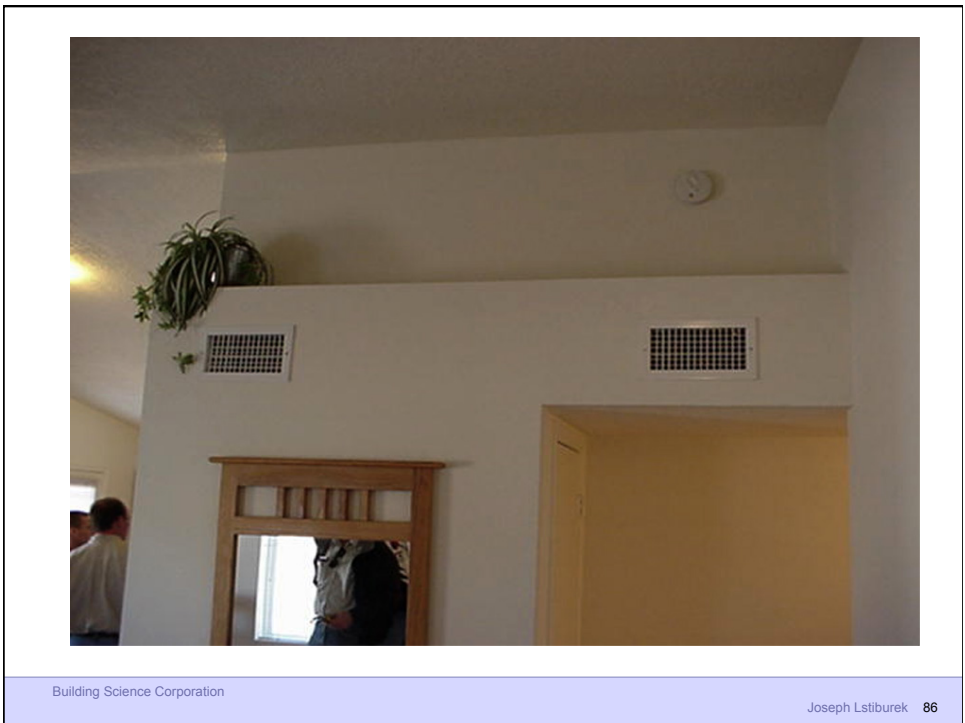
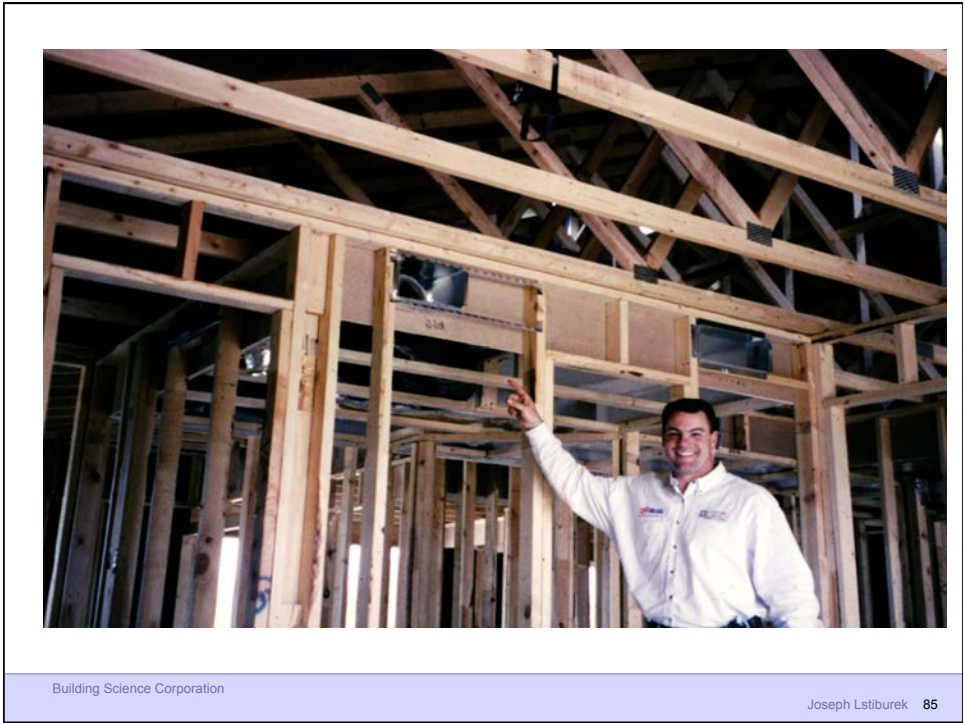




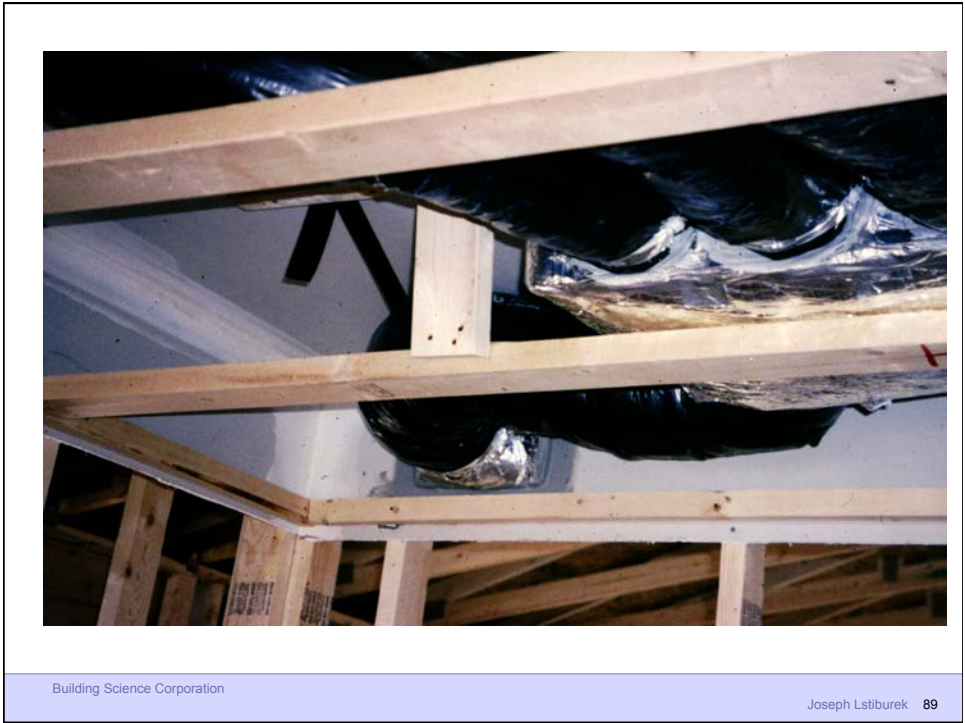












Don't Do Stupid Things

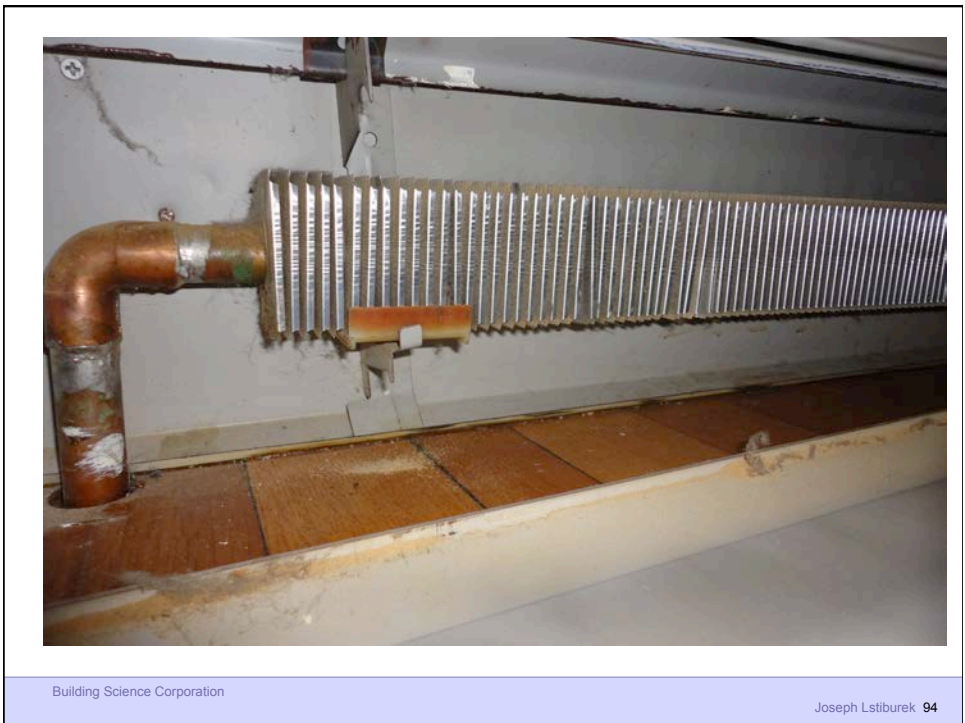
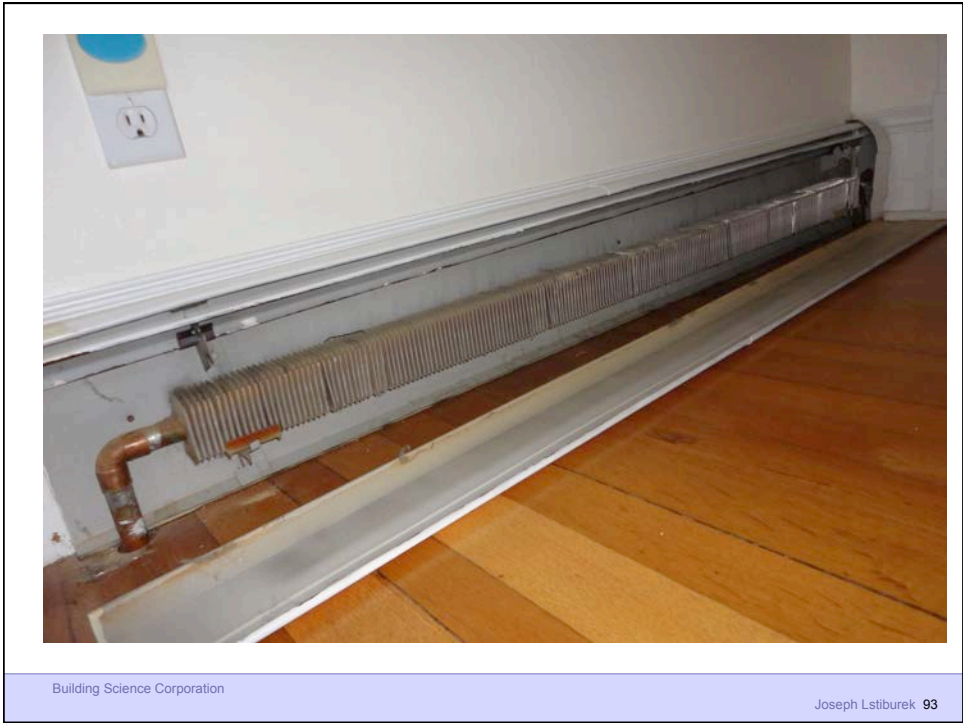
Building Science Corporation

Joseph Lstiburek 91

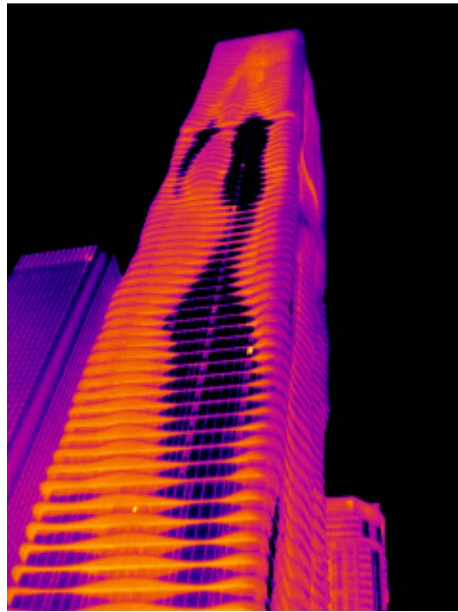


Building Science Corporation

Joseph Lstiburek 92







Building Science Corporation

Joseph Lstiburek 97



Building Science Corporation

Joseph Lstiburek 98



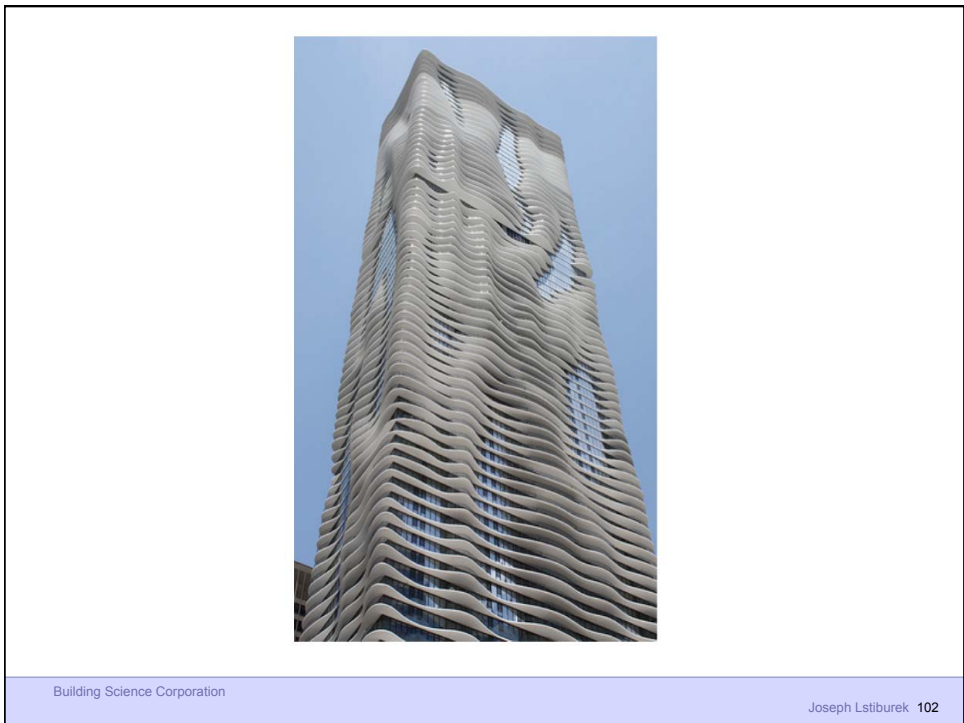
Building Science Corporation

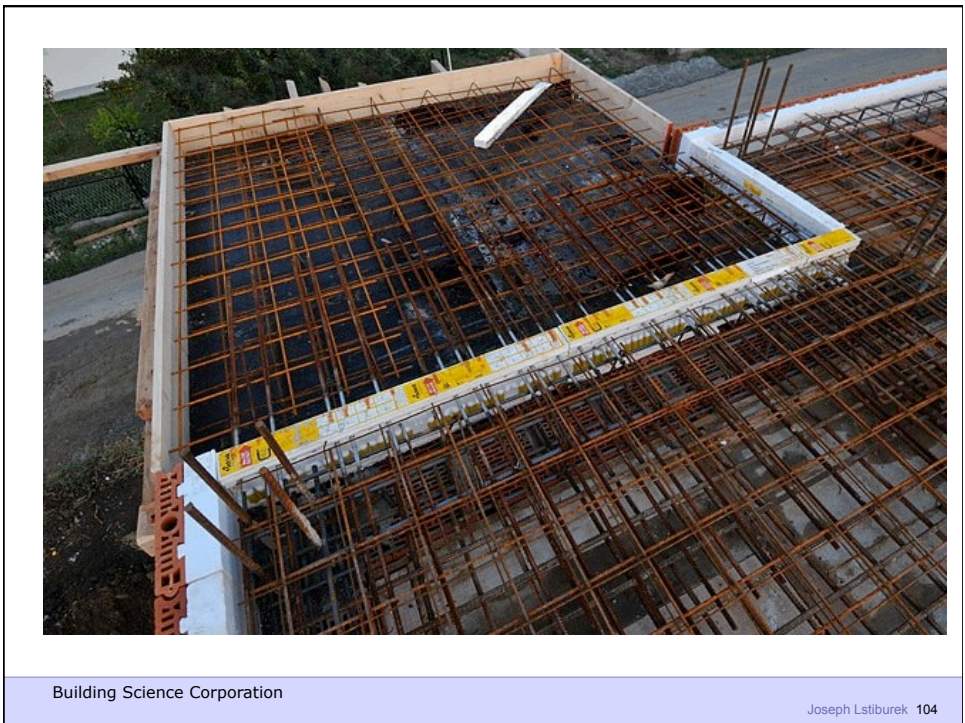
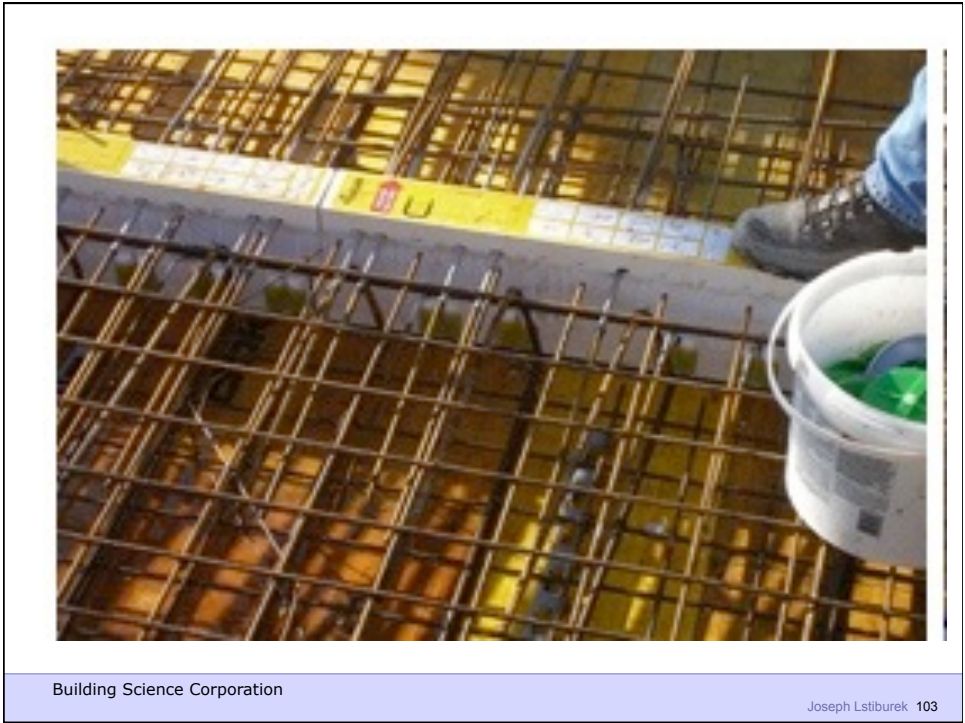
Joseph Lstiburek 99

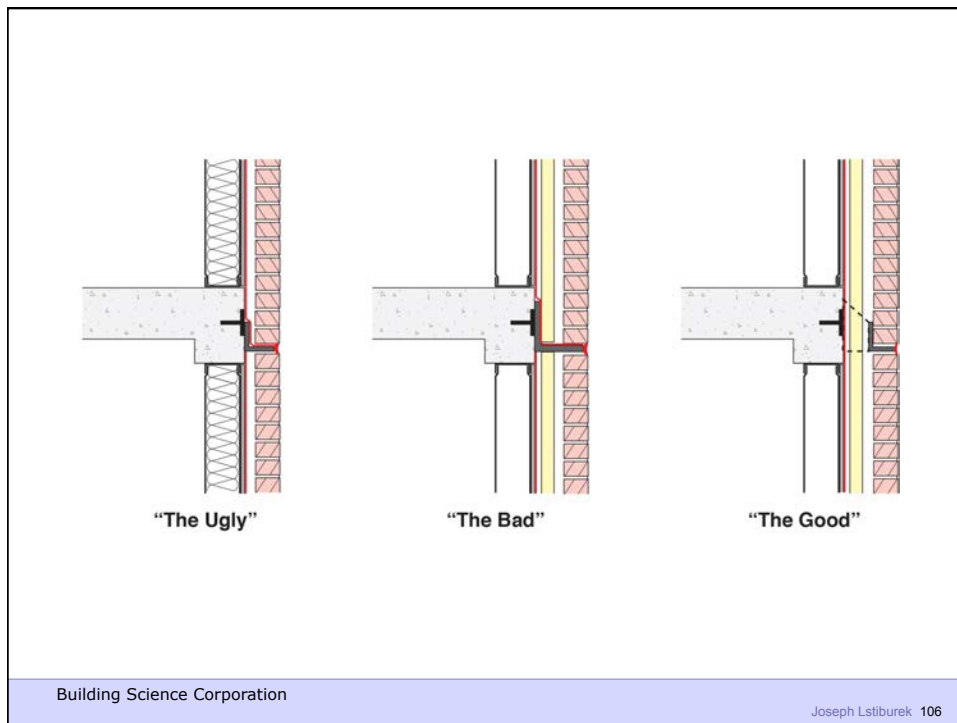
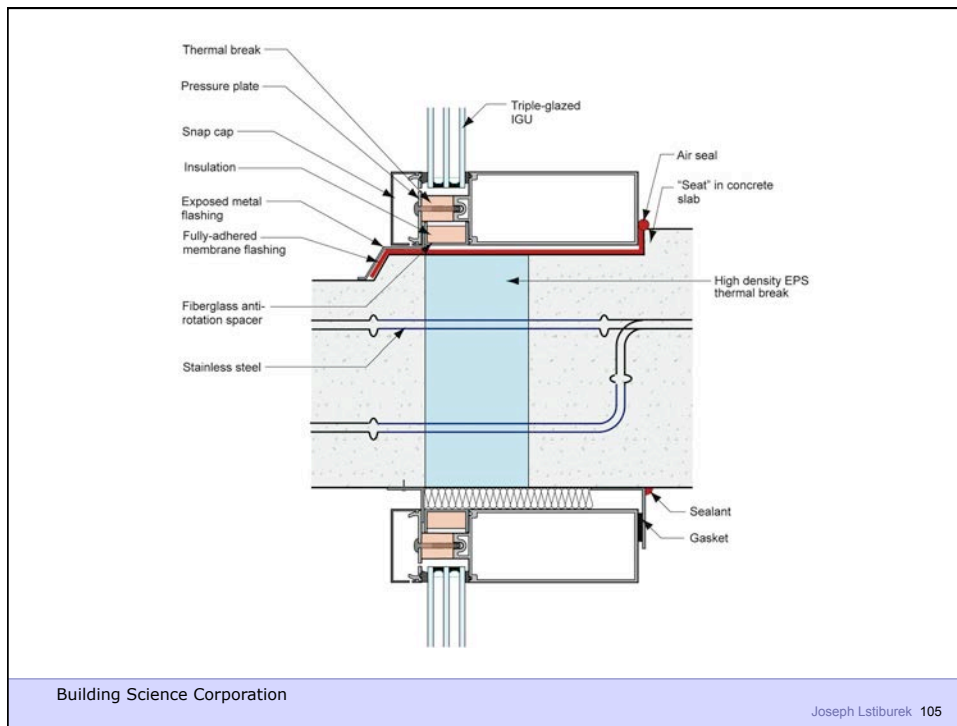


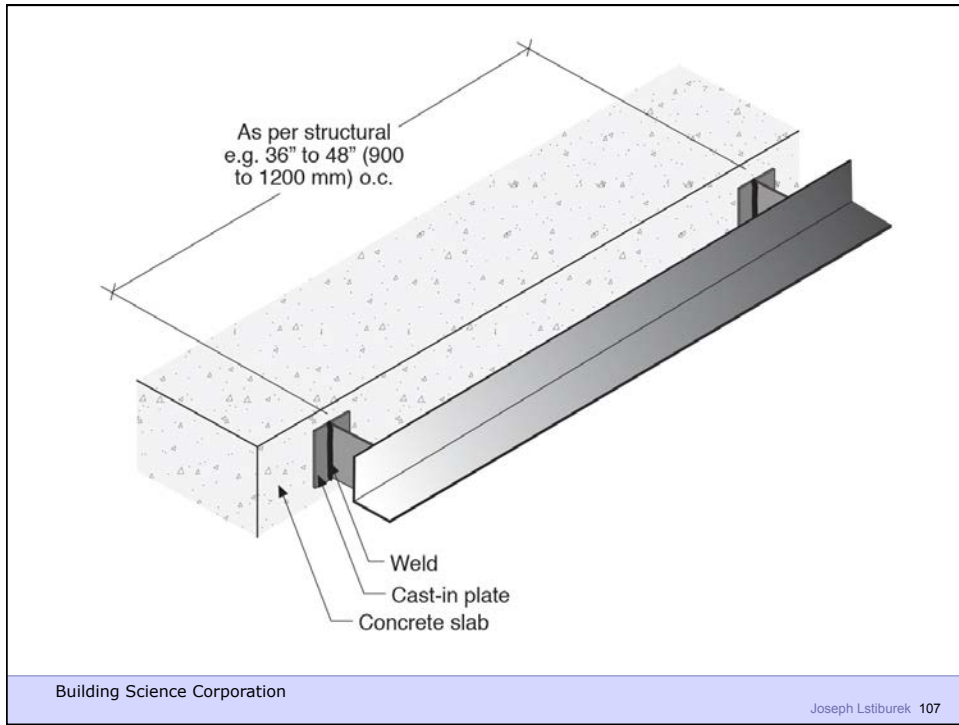
Building Science Corporation

Joseph Lstiburek 100

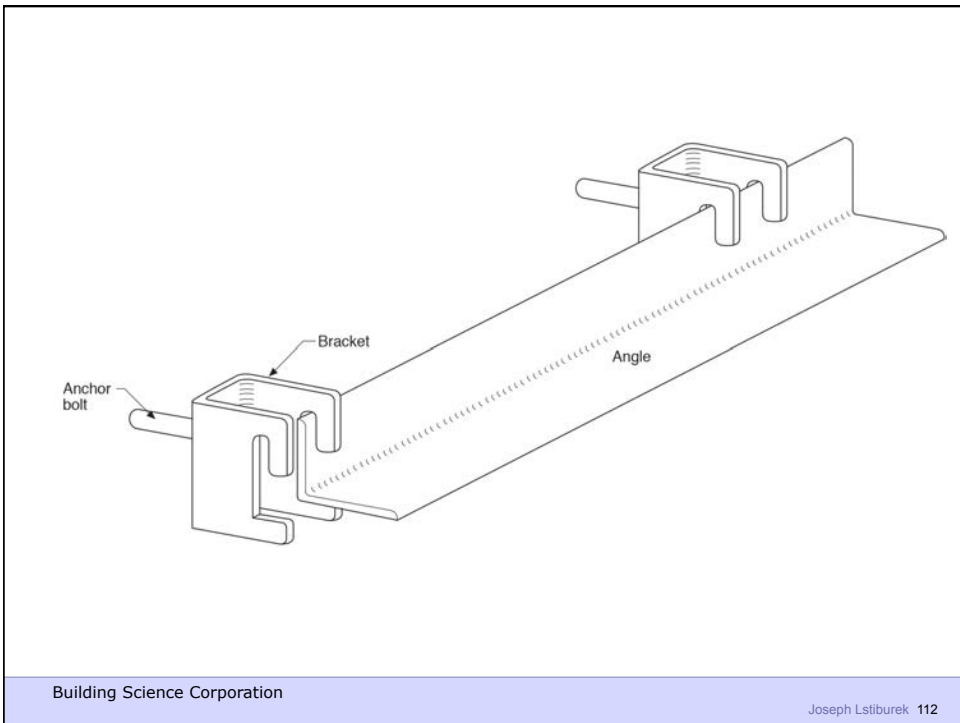
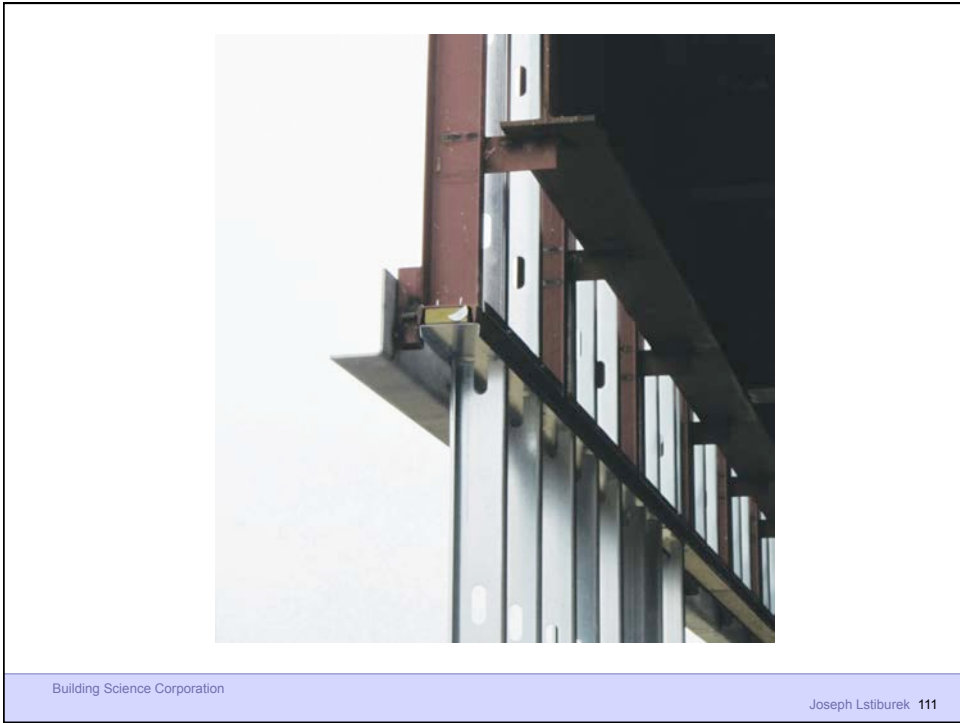




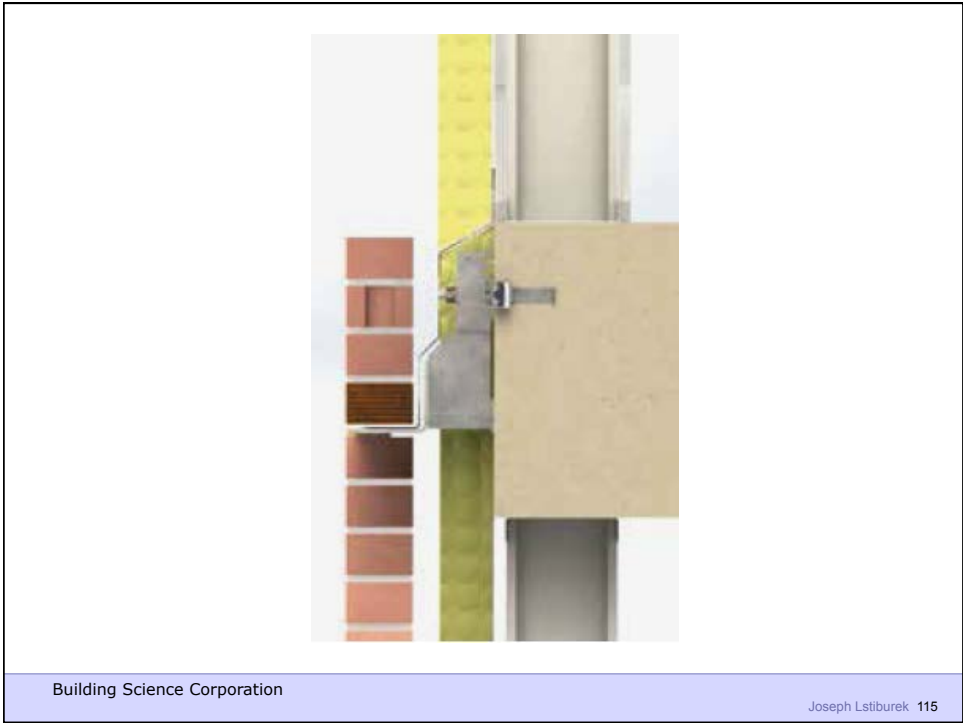


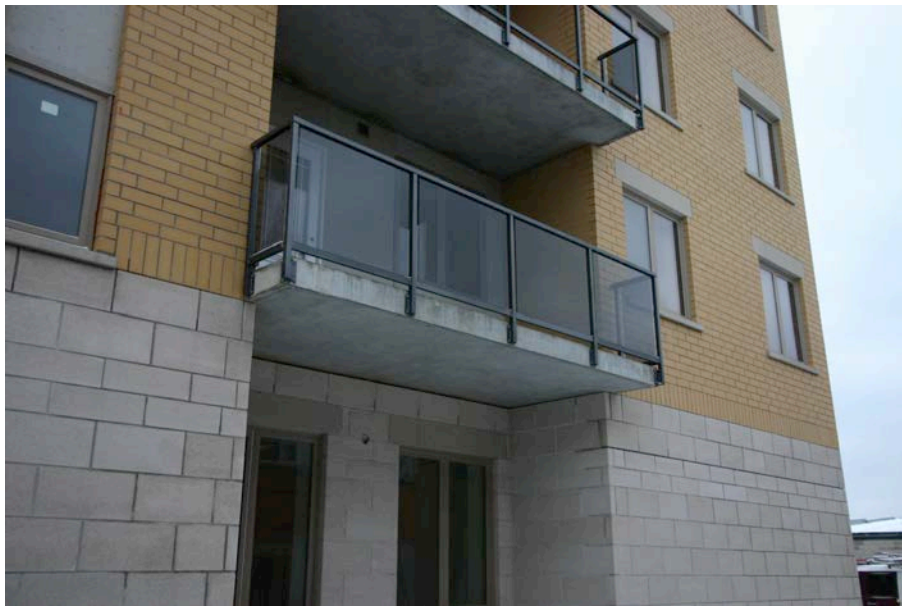












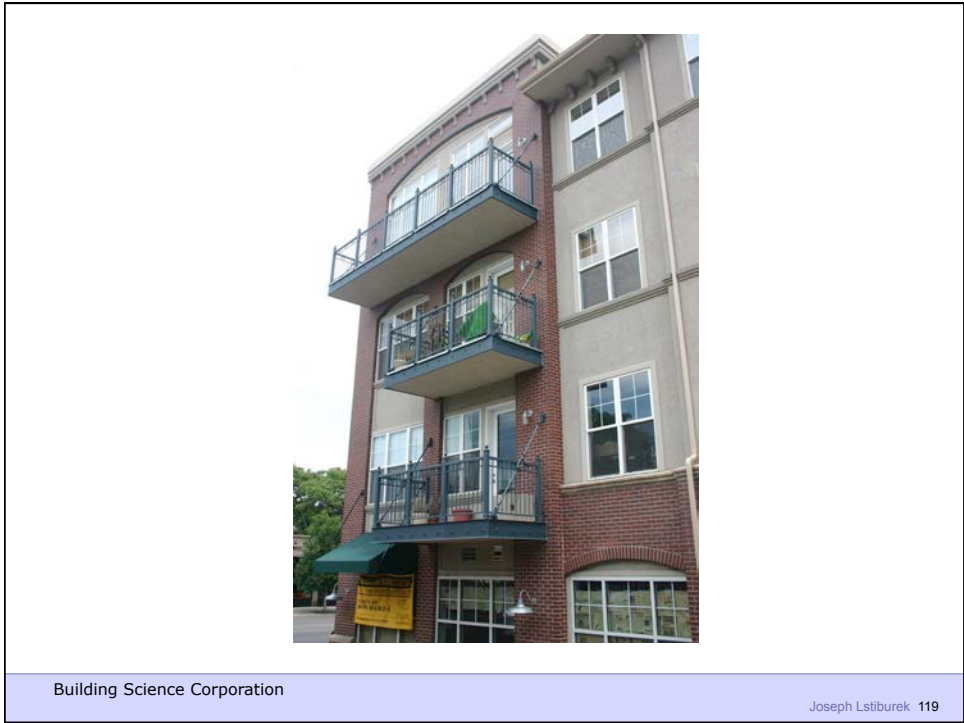
Building Science Corporation

Joseph Lstiburek 117



Building Science Corporation

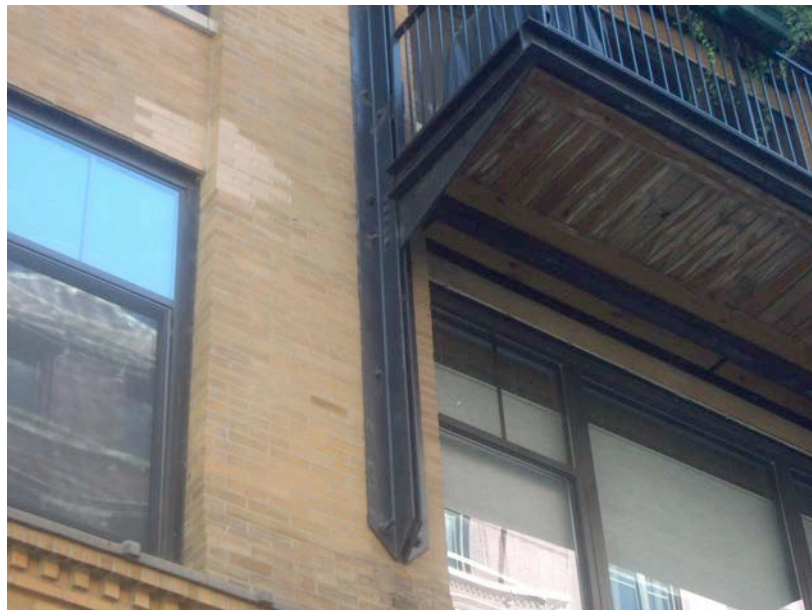
Joseph Lstiburek 118





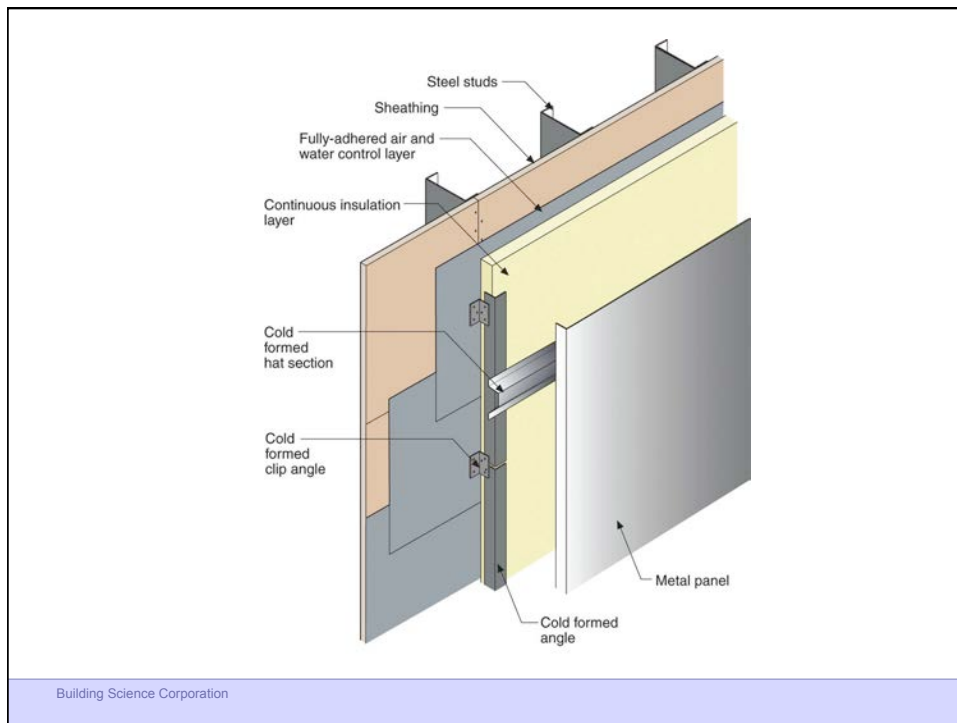
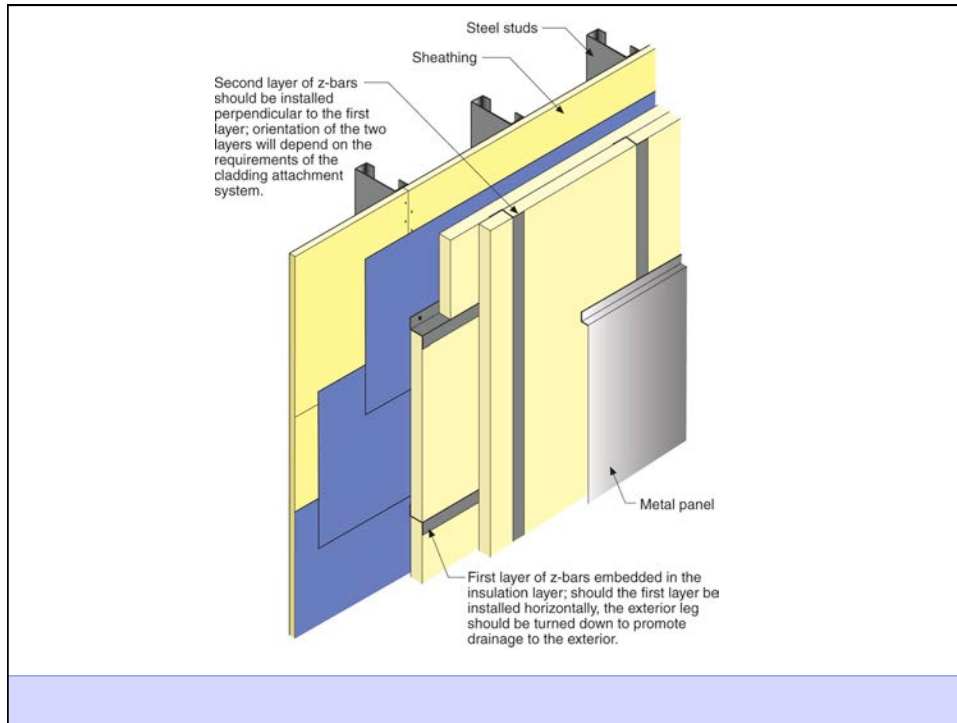
Building Science Corporation

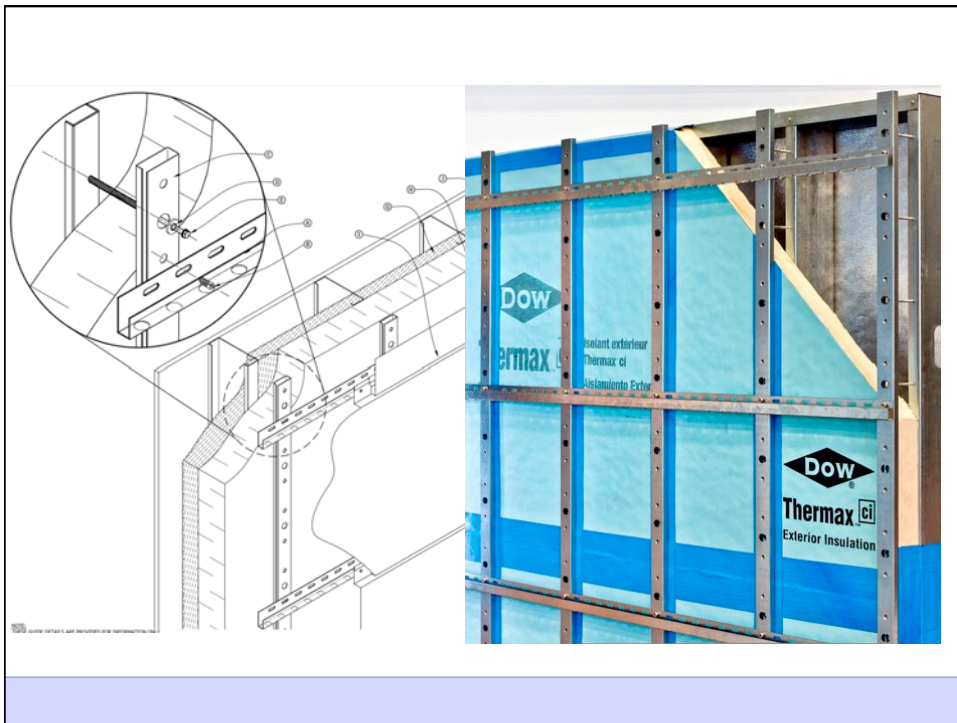
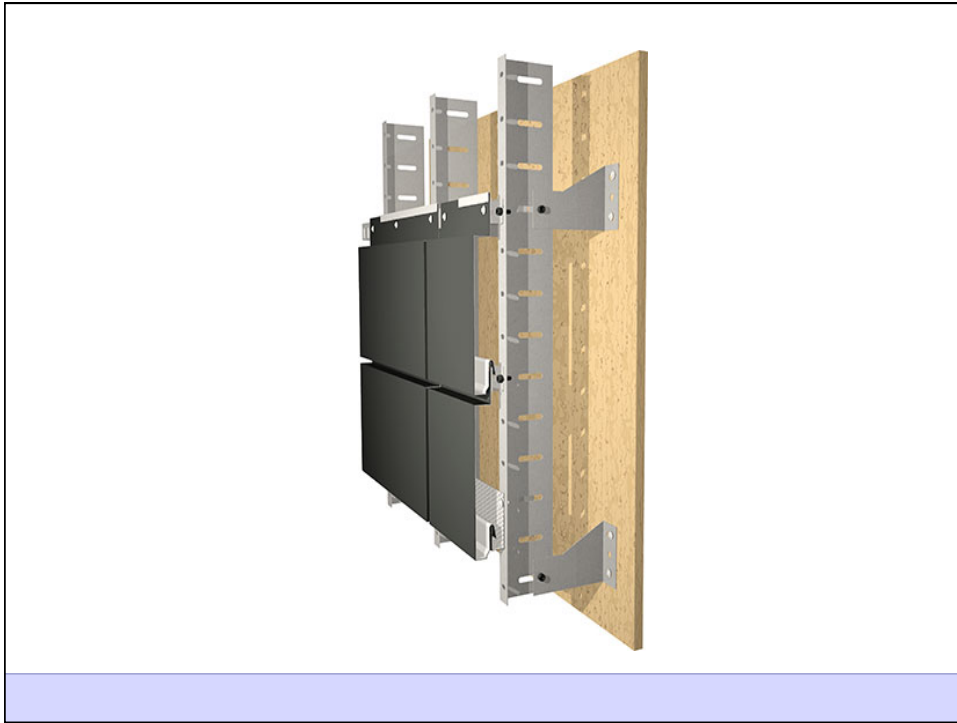
Joseph Lstiburek 121

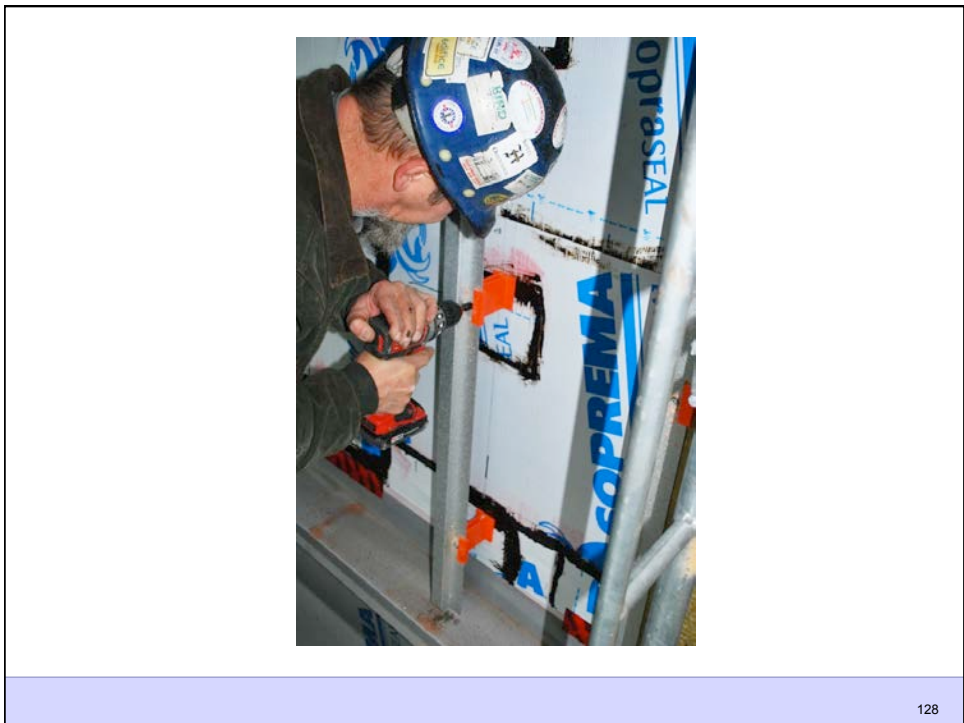


Building Science Corporation

Joseph Lstiburek 122









Building Science Corporation

Joseph Lstiburek 129



Building Science Corporation

Joseph Lstiburek 130